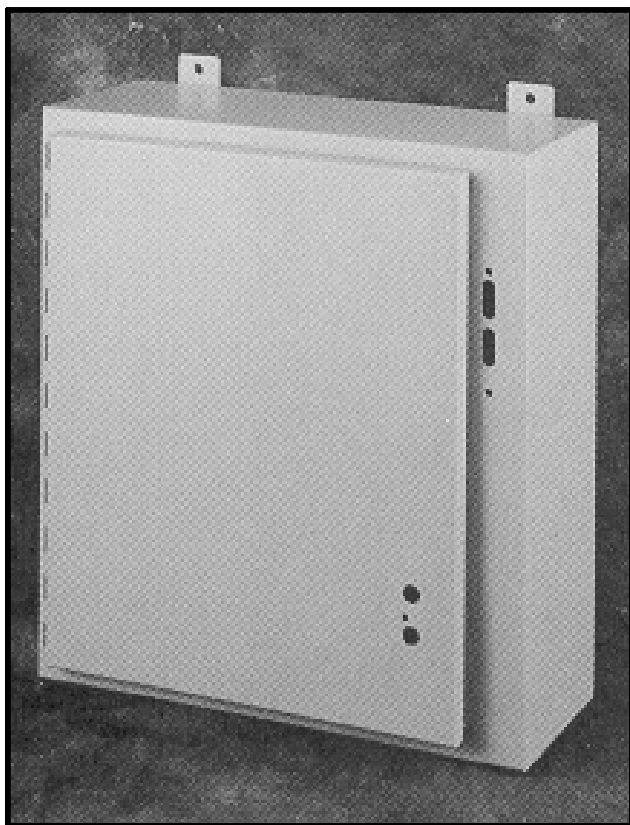


For Variable Depth Disconnect Devices
And For Flexible Cable Disconnect Devices

In Hoffman Bulletin A25
Wall Mounted Disconnect Enclosures



2-Point Latching



3-Point Latching

WARNING

The functions, fits, and clearances of the installation described hereon are calculated from information supplied by the manufacturers of the equipment to be installed. Be certain to check the function, fits, and clearances of all equipment both before and after installation to assure that it operates properly and safely and meets all applicable codes, standards, and regulations.

In the event the completed installation does not function properly or fails to meet any such codes, standards, or regulations, do not attempt to make alterations or operate the equipment. Report such facts immediately to:

Customer Service Dept.
Hoffman Enclosures Inc.
2100 Hoffman Way
Anoka, MN 55303-1745
(763) 422-2211

NOTICE

To maintain the environmental rating of this enclosure: install in any opening, only listed or recognized disconnect devices, external mounting feet, or conduit hubs that have the same environmental rating as the enclosure. Install in compliance with the installation instructions of the device.

Installation Instruction Index		
Brand of Disconnect	Type	See Pages
Allen-Bradley 1494V	Variable Depth	4,5
Cutler-Hammer C361/C371	Variable Depth	6,7
General Electric STDA	Variable Depth	8,9
Square D 9422	Variable Depth	10,11
Cutler-Hammer C371 Flex Shaft™	Flexible Cable	12,13
General Electric SCH	Flexible Cable	14,15
Siemens I-T-E Max Flex™	Flexible Cable	16,17
Square D 9422	Flexible Cable	18,19

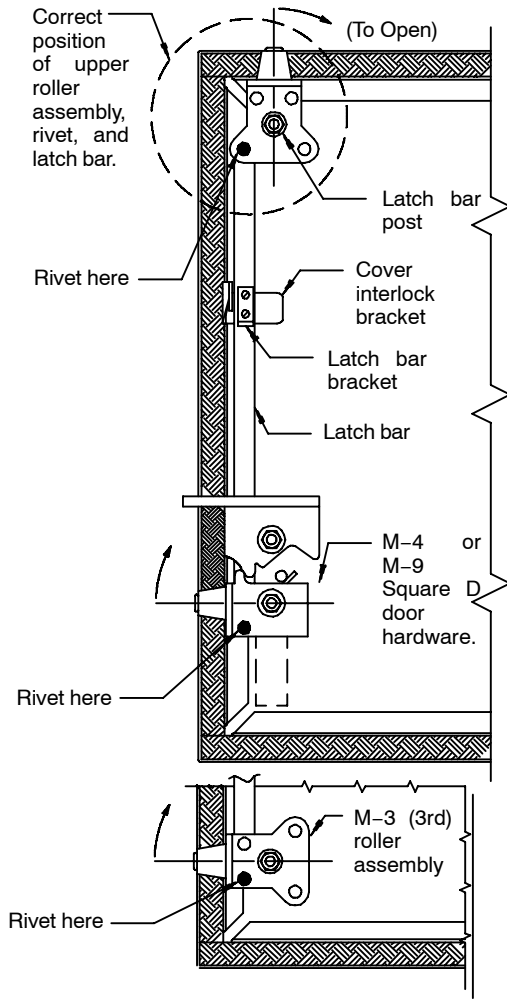
INSTALLATION STEPS

Step 1 – Drill mounting holes in panel for specific disconnect device being installed. See installation instruction index above for appropriate panel drilling instructions. Additional holes may be required when using fused switches. See disconnect manufacturers instructions.

Step 2 – Install operating handle on enclosure flange in holes provided. Follow disconnect manufacturers instructions.

Step 3 – Install disconnect device on panel. Follow disconnect manufacturers instructions for installation and adjustment.

Step 4 – Install door hardware on enclosure door. See table 3 on page 3 for selection of appropriate 2-point or 3-point door hardware. Follow disconnect manufactures instructions and Hoffman additional information to install door hardware. See disconnect manufactures instructions to adjust door hardware to properly interlock to disconnect operating handle.



Sq. D Door Hardware
Figure 6

TABLE 3 DOOR HARDWARE REQUIRED

Disconnect Brand	Enclosure Height						Additional Mounting Information	
	20"	24"	30"	36"	42"	48"		60"
	2-Point			3-Point				
Allen-Bradley Bulletin 1494V	1494V-L1			1494V-L1 1494V-L2			See Note 1	
Cutler Hammer Type C361 Type C371 Type C371 Flex Shaft	C361 KJ4 OR C361 KJ6			C361 KJ4 C361 KR C361 KJ6 C361 KR			See Note 2	
General Electric Type STDA Type SCH	TDV1			TDV1 TDV3			See Note 3	
Square D Class 9422	9423-M4 OR 9423-M9			9423-M4 9423-M3 9423-M9 9423-M3			See Note 4 and Fig. 6	
Siemens I-T-E Max Flex	DKR2			DKR3			See Note 5	

Note 1 – Hoffman enclosures include a latch bar and have a door catch and stud-type standoffs provided on the door. Therefore; Allen-Bradley door hardware items 19, 20, 21, 22, 24, 25, 26, and the Allen-Bradley door catch (shown in figure 4 of the Allen-Bradley instructions) can be omitted. The Allen-Bradley pivot plate (item 23) is to be installed on the stud-type standoffs with the sleeve and locknut provided by Hoffman. Fasten the Allen-Bradley defeater actuator (item 30) to the latch bar. The latch bar has six (6) mounting holes. Use the top holes for eight (8) inch deep enclosures, middle holes for ten (10) inch deep enclosures, and the bottom holes for twelve (12), and sixteen (16) inch deep enclosures.

Note 2 – Hoffman enclosures include a latch bar and have a door catch and stud type standoffs provided on the doors. Therefore the Cutler-Hammer door catch and some door hardware items will not be needed (CH items no. one (1) through six (6)). Install the CH defeater bracket (item 28) onto latch rod (furnished with enclosure). The latch rod has six (6) mounting holes. Use the top pair of holes for eight (8) inch deep enclosures, the middle holes for ten (10) inch deep enclosures, and the bottom holes for twelve (12) inch and sixteen (16) inch deep enclosures. Adjust door hardware as required.

Note 3 – Hoffman enclosures include a latch bar and have a door catch and stud-type standoffs provided on the door. Therefore, G.E. door hardware items 17, 18, 20, 21, and 22 can be omitted. Use optional mounting of upper latch (figure 1a on G.E. instructions) where upper latch roller contacts top of enclosure flange. The G.E. roller assembly (item 19) should be installed on the stud-type standoffs with the locknut provided by Hoffman. Install the G.E. interlock bracket (item 23) ont the latch bar. The latch bar has six (6) mounting holes. Use the top holes for for eight (8) inch deep enclosures, middle holes for ten (10) inch deep enclosures, and the bottom holes for twelve (12), and sixteen (16) inch deep enclosures.

Note 4 – Hoffman enclosures include a latch bar and have a door catch and stud-type standoffs provided on the door. Therefore, Square D door hardware items 10, 13, 22, 23, 24, 25, and 26 can be omitted. The Square D latch arm (item 16) is to be installed on the stud-type standoffs with the sleeve and locknut provided by Hoffman. Note: Assemble the upper Square D latching arm to the latch bar as shown in of Square D instructions. Also see Figure 6 (above) which shows correct assembly of door hardware. Fasten the Square D latch bar bracket (item 8) to the latch bar. The latch bar has six (6) mounting holes. Use the top holes for eight (8) inch deep enclosures, middle holes for ten (10) inch deep enclosures, and the bottom holes for twelve (12) and sixteen (16) inch deep enclosures.

Note 5 – Hoffman enclosures include a latch bar and have a door catch and stud-type standoffs provided on the door. Install the I-T-E roller assembly on the stud-type standoffs with the locknut provided by Hoffman. Fasten the I-T-E interlock defeater lever to the latch bar. The latch bar has six (6) mounting holes. Use the top holes for eight (8) inch deep enclosures, middle holes for ten (10) inch deep enclosures, and the bottom holes for twelve (12) and sixteen (16) inch deep enclosures.

Wall-Mounted Disconnect Enclosures
 Installation Instructions for Allen-Bradley 1494V (variable depth) Disconnects

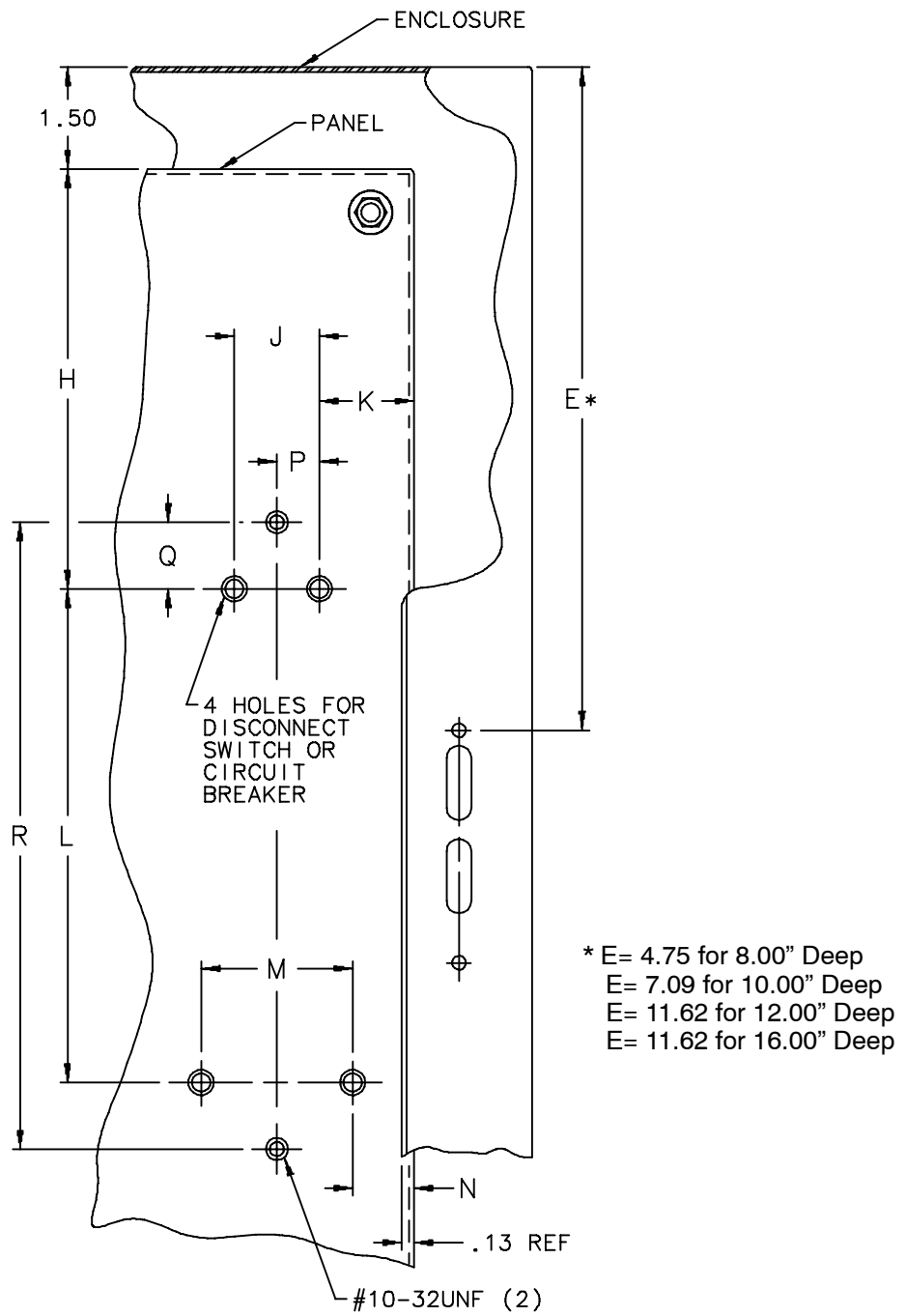


Figure 3

Wall-Mounted Disconnect Enclosures
Installation Instructions for Allen-Bradley 1494V (variable depth) Disconnects

TABLE 1 Sub-Panel Drilling												
Allen-Bradley Bulletin 1494V Disconnect or operator for Circuit Breaker	Enclosure Depth			J	K	L	M	N	P	Q	R	Hole Size
	8.00 H	10.00 H	12.00 16.00 H									
*1494V-DS30 (30 AMP)	1.41	3.75	8.28	1.97	2.44	4.33	3.94	1.44	---	---	---	.159Ø 10-32 UNF
*1494V-DS60 (60 AMP)												
*1494V-DS100 (100A./series B)	Do Not Install	3.75	8.28	1.97	2.44	4.33	3.94	1.44	---	---	---	.159Ø 10-32 UNF
*1494V-DS200 (200 A./series B)	Do Not Install	Do Not Install	7.14	2.36	2.80	4.92	4.72	1.69	---	---	---	.201Ø 1/4-20 UNC
1494V-M40 for 15-150 AMP West.	3.50	5.84	10.38	1.38	1.09	4.50	1.38	1.09	---	---	---	.136Ø 8-32 UNF
1494V-M50 for 15-150 AMP West.	Do Not Install	Do Not Install	10.94	1.38	1.25	7.25	1.38	1.25	.69	2.03	10.62	.201Ø 1/4-20 UNC
1494V-M60 for 70-400 AMP West.	Do Not Install	Do Not Install	9.88	1.72	1.78	8.44	1.72	1.78	.86	1.16	10.75	.201Ø 1/4-20 UNC

* See A-B Instructions For Locating Fuse Blocks.

NOTE: Allen-Bradley variable depth disconnects are provided with connecting rods that must be cut to length to fit the enclosure depth (from flange surface to subpanel surface). See table 2 and Allen-Bradley instructions.

TABLE 2			
Bulletin	Hoffman Disconnect Enclosure Description	Enclosure Depth C	Allen-Bradley D (1)
A25	Wall Mounted Disconnect Enclosure	8.00	6.88
		10.00	8.88
		12.00	10.88
		16.00	14.88

1) This enclosure depth dimension is used to calculate the length of Allen-Bradley connecting rod(s).

Wall-Mounted Disconnect Enclosures
Installation Instructions for Cutler-Hammer C361 and C371
Disconnects with Variable Depth Operating Mechanisms

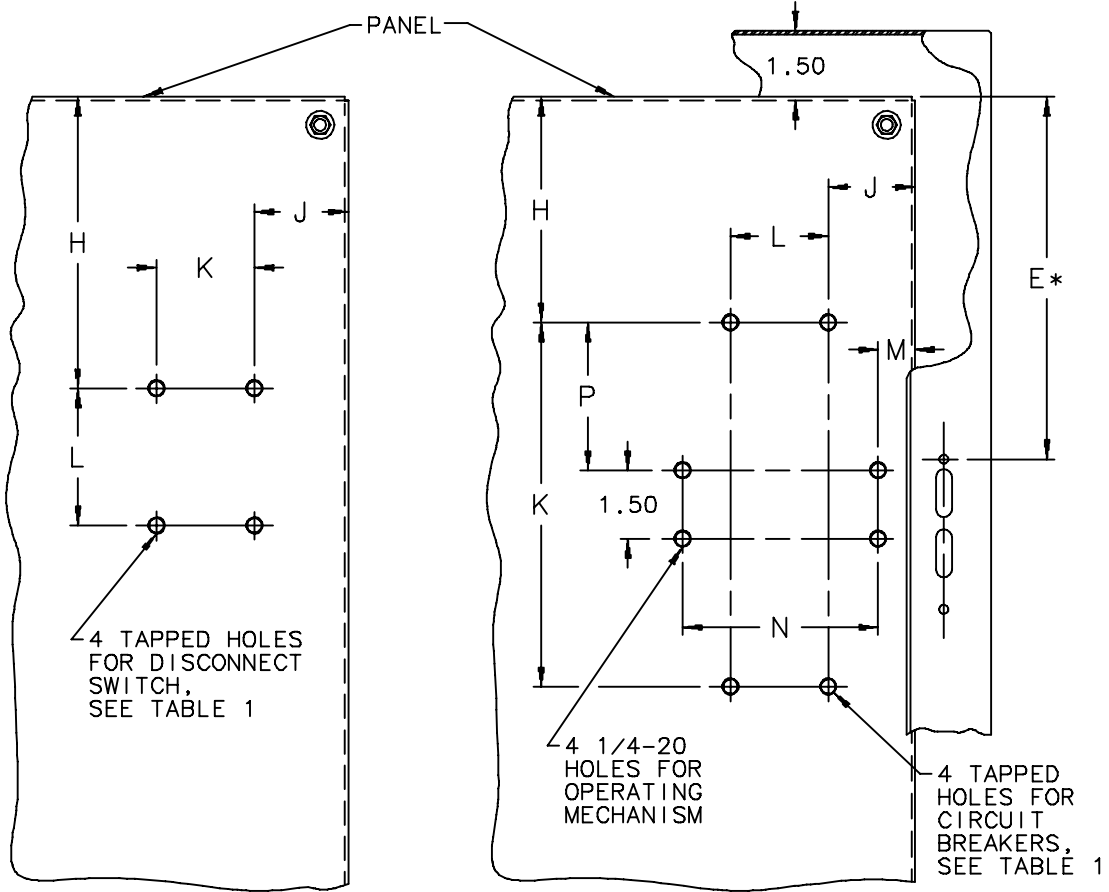


Figure 3

* E= 4.75 for 8.00" Deep
 E= 7.09 for 10.00" Deep
 E= 11.62 for 12.00" Deep
 E= 11.62 for 16.00" Deep

Hole Pattern For Disconnect Switch	Size
C361NC/C361SC	30 AMP
C361ND/C361SD	60 AMP
C361NE/C361SE	100 AMP
C361NF/C361SF	200 AMP

Hole Pattern For Circuit Breaker	Frame Size
HMCP, FS, FH, EHD FDB, FD, HFD	150 AMP
HMCP, JS, JH, JL, JD, JDB, HJD, JDC	250 AMP
HMCP, HK, KS, KD, DK, KDB, HKD	400 AMP
LH, LS, LC	600 AMP

**Wall–Mounted Disconnect Enclosures
Installation Instructions for Cutler–Hammer C361 and C371
Disconnects with Variable Depth Operating Mechanisms**

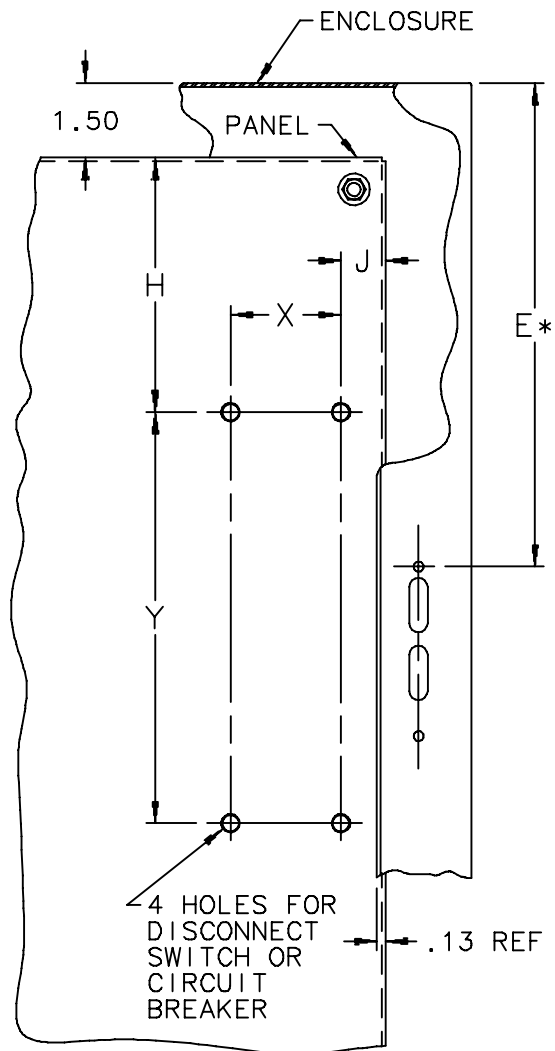
TABLE 1 Sub–Panel Drilling											
Circuit Breaker or Disconnect Switch	Frame Size	H 8" Deep	H 10" Deep	H 12" & 16" Deep	J	K	L	M	N	P	Hole Size
C361NC (30A)	---	1.68	4.03	8.56	2.47	4.00	7.13	---	---	---	10–32 UNF
C361SC (30A)	---	1.68	4.03	8.56	2.47	4.00	9.75	---	---	---	10–32 UNF
C361ND (60A)	---	1.68	4.03	8.56	2.47	4.00	7.13	---	---	---	10–32 UNF
C361SD (60A)	---	1.68	4.03	8.56	2.47	4.00	9.75	---	---	---	10–32 UNF
C361NE (100A)	---	1.50	9.48	8.38	2.34	5.50	7.13	---	---	---	10–32 UNF
C361SE (100A)	---	1.50	3.84	8.38	2.34	5.50	11.88	---	---	---	10–32 UNF
C361NF (200A)	---	Do Not Install	Do Not Install	6.79	.81	8.50	15.50	---	---	---	5/16–18 UNC
C361SF (200A)	---			6.79	.81	8.50	15.50	---	---	---	5/16–18 UNC
HMCP, FS, FH, EHD, FDB, FD, HFD	150A	3.91	6.26	10.79	2.62	4.50	1.38	---	---	---	8–32 UNF
JS, JH, JL	250A	Do Not Install	6.22	10.75	3.13	7.25	1.38	.31	6.95	2.75	10–32 UNF
HMCP	250A		6.22	10.75	3.13	7.25	1.38	.31	6.95	2.75	1/4–20 UNC
KH, KS, DK, KDB, KD, HKD, KDC	400A		10.31	2.96	8.44	1.72	.31	6.95	3.18	1/4–20 UNC	
HMCP	400A		10.31	2.96	8.44	1.72	.31	6.95	4.00	1/4–20 UNC	
LH, LS, LC	600A		8.42	3.88	9.53	2.75	.23	10.05	4.32	1/4–20 UNC	

NOTE: Cutler–Hammer variable depth disconnects are provided with connecting rods that must be cut to length to fit the enclosure depth (from flange surface to subpanel surface). See table 2 and Cutler–Hammer instructions.

TABLE 2			
Bulletin	Hoffman Disconnect Enclosure Description	Enclosure Depth C	Cutler–Hammer D (1)
A25	Wall Mounted Disconnect Enclosure	8.00	6.88
		10.00	8.88
		12.00	10.88
		16.00	14.88

1) This dimension is used to determine length to cut Cutler–Hammer connecting rods.

Wall-Mounted Disconnect Enclosures
 Installation Instructions for General Electric Type STDA
 Variable Depth Operating Mechanisms



* E= 4.75 for 8.00" Deep
 E= 7.09 for 10.00" Deep
 E= 11.62 for 12.00" Deep
 E= 11.62 for 16.00" Deep

Figure 3

**Wall-Mounted Disconnect Enclosures
Installation Instructions for General Electric Type STDA
Variable Depth Operating Mechanisms**

TABLE 1 Sub-Panel Drilling									
G.E. Operating Mechanism	Frame Size	No. Of Holes	Hole Size	H 8" Deep	H 10" Deep	H 12" & 16" Deep	J	X	Y
TDOM1A	QMR-QMW	4	1/4-20	2.50	3.97	8.50	.75	3.00	6.75
TDOM1JA	QMR-QMW	4	1/4-20	2.50	3.97	8.50	.75	3.00	6.75
TDOM1B	QMR-QMW	4	1/4-20	2.50	3.97	8.50	.75	3.00	6.75
TDOM1JB	QMR-QMW	4	1/4-20	2.50	3.97	8.50	.75	3.00	6.75
TDOM2	QMR-QMW	4	1/4-20	Do Not Install	Do Not Install	8.50	.69	7.00	7.25
SDOM1A	SE150	4	1/4-20	2.50	3.97	8.50	.75	3.00	6.75
SDOM3	SF250	4	1/4-20	Do Not Install	4.38	8.91	1.69	2.75	10.88
SDOM4	SG600	6	1/4-20	Do Not Install	Do Not Install	6.91	1.34	3.35	5.51 AND 12.20
SDOM1A	TEB, TED	4	1/4-20	2.50	3.97	8.50	.75	3.00	6.75
SDOM1A SDOM1AP	TB1 TEC, TECL	4	1/4-20	2.50	3.97	8.50	.75	3.00	6.75
TDOM3	TFJ, TFK	4	1/4-20	Do Not Install	3.97	8.50	1.69	2.75	10.88
TDOM4	JFRAME	4	1/4-20		3.34	7.88	1.63	5.50	8.63
TDOM5	TB4, TJH	4	1/4-20		3.34	7.88	1.63	5.50	14.63
TDOM6	K FRAME	4	1/4-20		Do Not Install	4.13	1.63	5.50	16.75

NOTE: General Electric variable depth disconnects are provided with connecting rods that must be cut to length to fit the enclosure depth (from flange surface to subpanel surface). See table 2 and General Electric instructions.

TABLE 2			
Bulletin	Hoffman Disconnect Enclosure Description	Enclosure Depth C	G.E. D (1)
A25	Wall Mounted Disconnect Enclosure	8.00	6.88
		10.00	8.88
		12.00	10.88
		16.00	14.88

1) This dimension is used to determine length to cut General Electric drive rod and stiffener rod (if used).

Wall-Mounted Disconnect Enclosures
 Installation Instructions for Square D 9422
 Variable Depth Operating Mechanisms

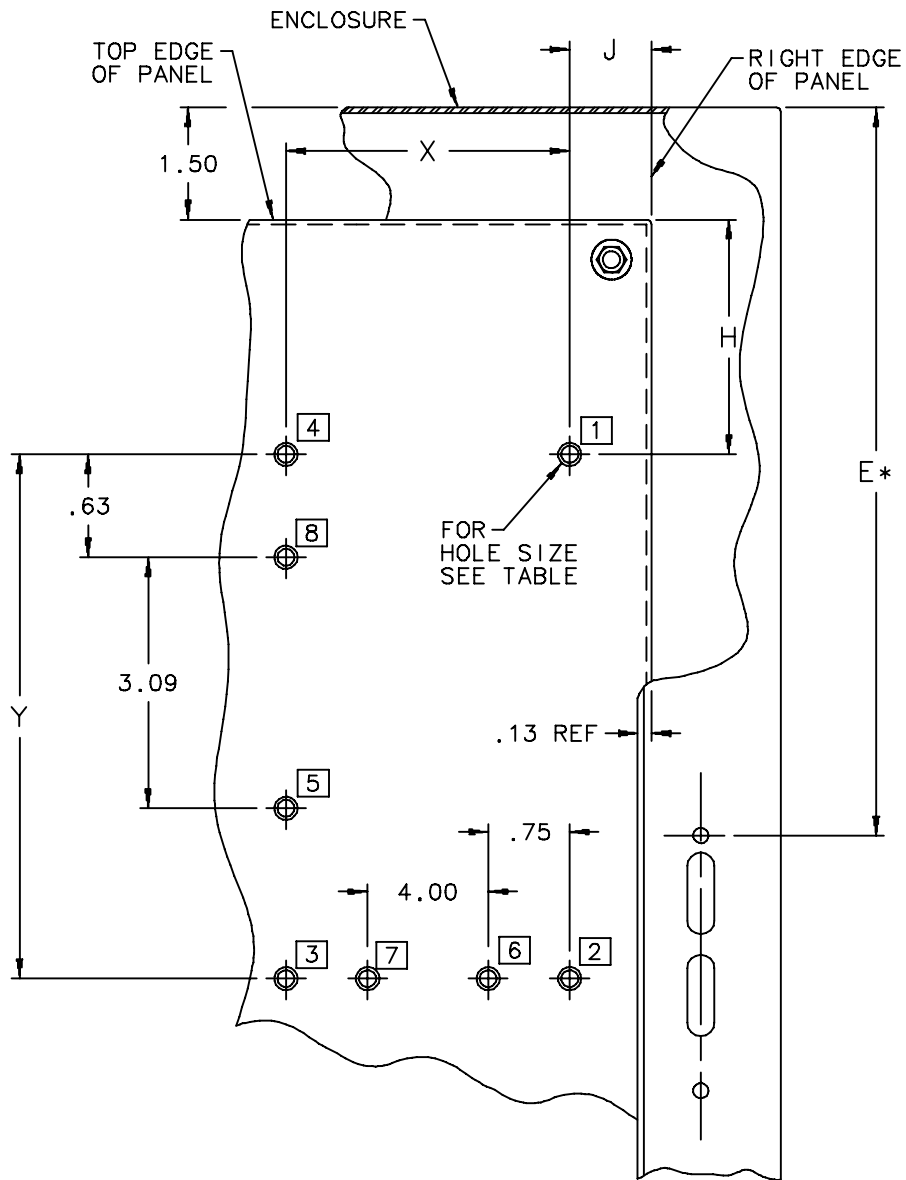


Figure 3

* E= 4.75 for 8.00" Deep
 E= 7.09 for 10.00" Deep
 E= 11.62 for 12.00" Deep
 E= 11.62 for 16.00" Deep

**Wall-Mounted Disconnect Enclosures
Installation Instructions for Square D 9422
Variable Depth Operating Mechanisms**

TABLE 1 Sub-Panel Drilling									
Square D Operating Mechanism	No. Of Holes	Mtg. Hole Position	Hole Size	H 8" Deep	H 10" Deep	H 12" & 16" Deep	J	X	Y
TCN, TCF	4	1,4,6,7	10-24	2.25	4.59	9.13	.38	5.50	4.50
TDN, TDF	4	1,4,6,7	10-24	2.25	4.59	9.13	.38	5.50	4.50
TEN, TEF	4	1,4,6,7	10-24	Do Not Install	4.59	9.13	.38	5.50	4.50
TC	4	1,2,5,8	10-24	2.50	4.41	8.94	.38	5.13	6.50
TD	4	1,2,4,7	10-24	2.25	4.59	9.13	.47	5.19	5.25
TE	4	1,2,3,4	1/4-20	Do Not Install	2.97	7.50	1.84	5.50	6.50
TF	4	1,2,3,4	5/16-18		Do Not Install	6.88	1.31	9.44	8.00
RG1	4	1,2,3,4	8-32	2.25	4.59	9.13	1.47	1.18	3.94
RN1	4	1,2,3,4	8-32	2.78	5.13	9.66	1.38	1.50	5.13
RP1	4	1,2,3,4	10-24	2.78	5.13	9.66	1.56	1.50	7.13
RR-1	4	1,2,3,4	1/4-20	Do Not Install	Do Not Install	9.00	.19	6.63	6.56
	4	1,2,3,4	.375 Dia.			7.63	2.50	2.00	9.25

NOTE: Square D variable depth disconnects are provided with connecting rods that must be cut to length to fit the enclosure depth (from flange surface to subpanel surface). See table 2 and Square D instructions.

TABLE 2			
Bulletin	Hoffman Disconnect Enclosure Description	Enclosure Depth C	Square "D" D (1)
A25	Wall Mounted Disconnect Enclosure	8.00	6.88
		10.00	8.88
		12.00	10.88
		16.00	14.88

1) This dimension is used to determine length to cut Square D operating rods. Use .070 for "T" dimension.

Wall-Mounted Disconnect Enclosures
Installation Instructions for Cutler-Hammer C371
Flex Shaft™ Flexible Cable Operating Mechanisms

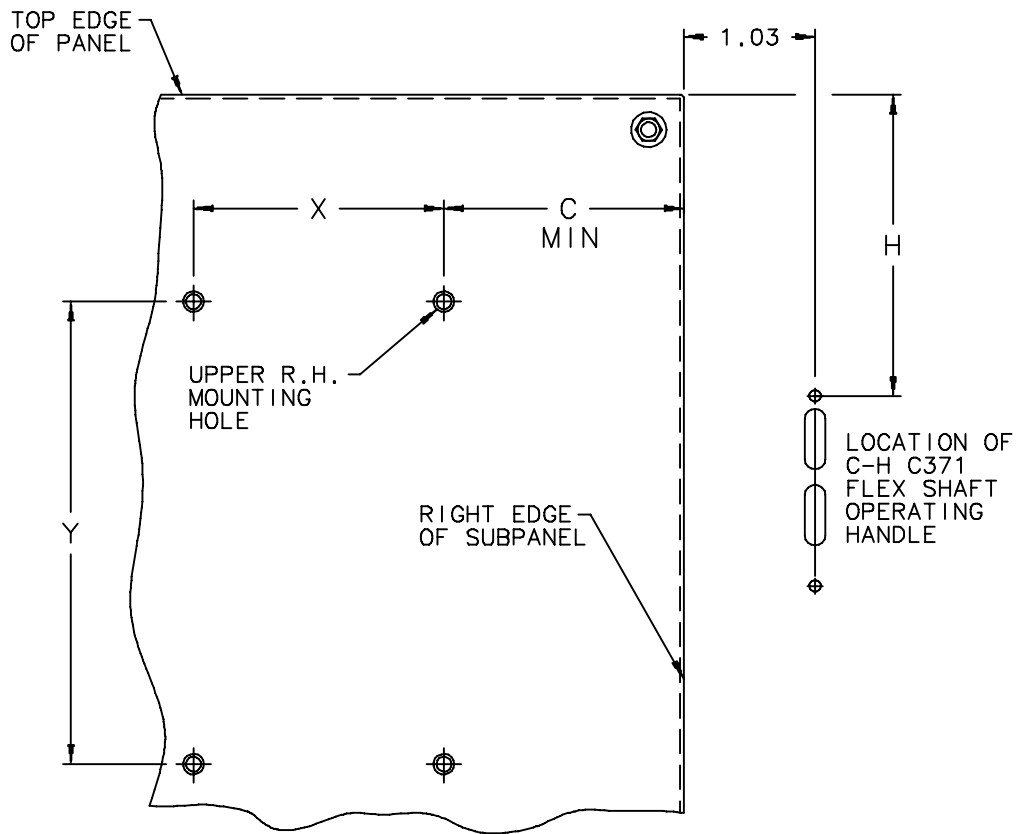


Figure 3 CH

Wall-Mounted Disconnect Enclosures
 Installation Instructions for Cutler-Hammer C371
 Flex Shaft™ Flexible Cable Operating Mechanisms

TABLE 1 Sub-Panel Drilling				
Circuit Breaker Frame Size	Hole Size	X	Y	C _{min}
F	8-32	1.375	4.500	1.38
J	1/4-20	1.375	7.250	1.38
K	1/4-20	1.719	8.438	1.88

TABLE 2			
Bulletin	Hoffman Disconnect Enclosure Description	Enclosure Depth	H
A25	Wall Mounted Disconnect Enclosure	8.00	3.25
		10.00	5.59
		12.00	10.13
		16.00	10.13

Step1 – Determine disconnect hole pattern from [Figure 3 CH](#) and the above tables. See disconnect manufacturers instructions for range of disconnect location based on cable length being used and depth of enclosure.

NOTE – Locate disconnect so appropriate wire bend space is provided for the line side wire size being used. Refer to National Electrical Code Article 430-10b for wire bend space required.

Wall-Mounted Disconnect Enclosures
Installation Instructions for General Electric SCH
Flexible Cable Operating Mechanisms

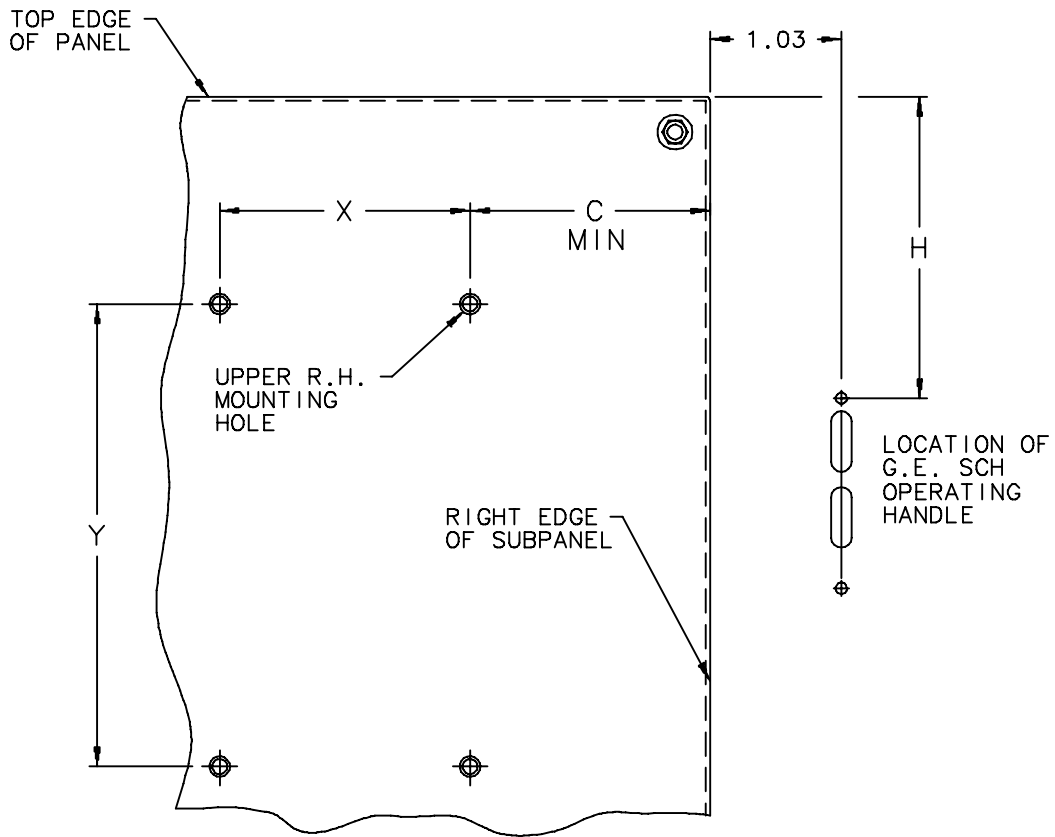


Figure 3 GE

Wall-Mounted Disconnect Enclosures
Installation Instructions for General Electric SCH
Flexible Cable Operating Mechanisms

TABLE 1 Sub-Panel Drilling						
Cable Mechanism	Circuit Breaker	No. of Holes	Hole Size	X	Y	C _{min}
SCOM1A	E150	4	8-32	1.38	4.88	1.38
SCOM1EF	SE150	4	10-32	1.38	4.88	1.38
	SF250	4	12-24	1.38	7.75	1.38
SCOM1G	SG600	4	12-24	1.81	7.75	1.84
SCOM1K	SK1200	4	5/16-18	2.75	14.25	2.75

TABLE 2			
Bulletin	Hoffman Disconnect Enclosure Description	Enclosure Depth C	H
A25	Wall Mounted Disconnect Enclosure	8.00	3.25
		10.00	5.59
		12.00	10.13
		16.00	10.13

Step1 – Determine disconnect hole pattern from [Figure 3 GE](#) and the above tables. See disconnect manufacturers instructions for range of disconnect location based on cable length being used and depth of enclosure.

NOTE – Locate disconnect so appropriate wire bend space is provided for the line side wire size being used. Refer to National Electrical Code Article 430-10b for wire bend space required.

Bulletin A25 Wall-Mounted Disconnect Enclosures
 Installation Instructions for Siemens (I-T-E) Max Flex™
 Flexible Cable Operating Mechanisms

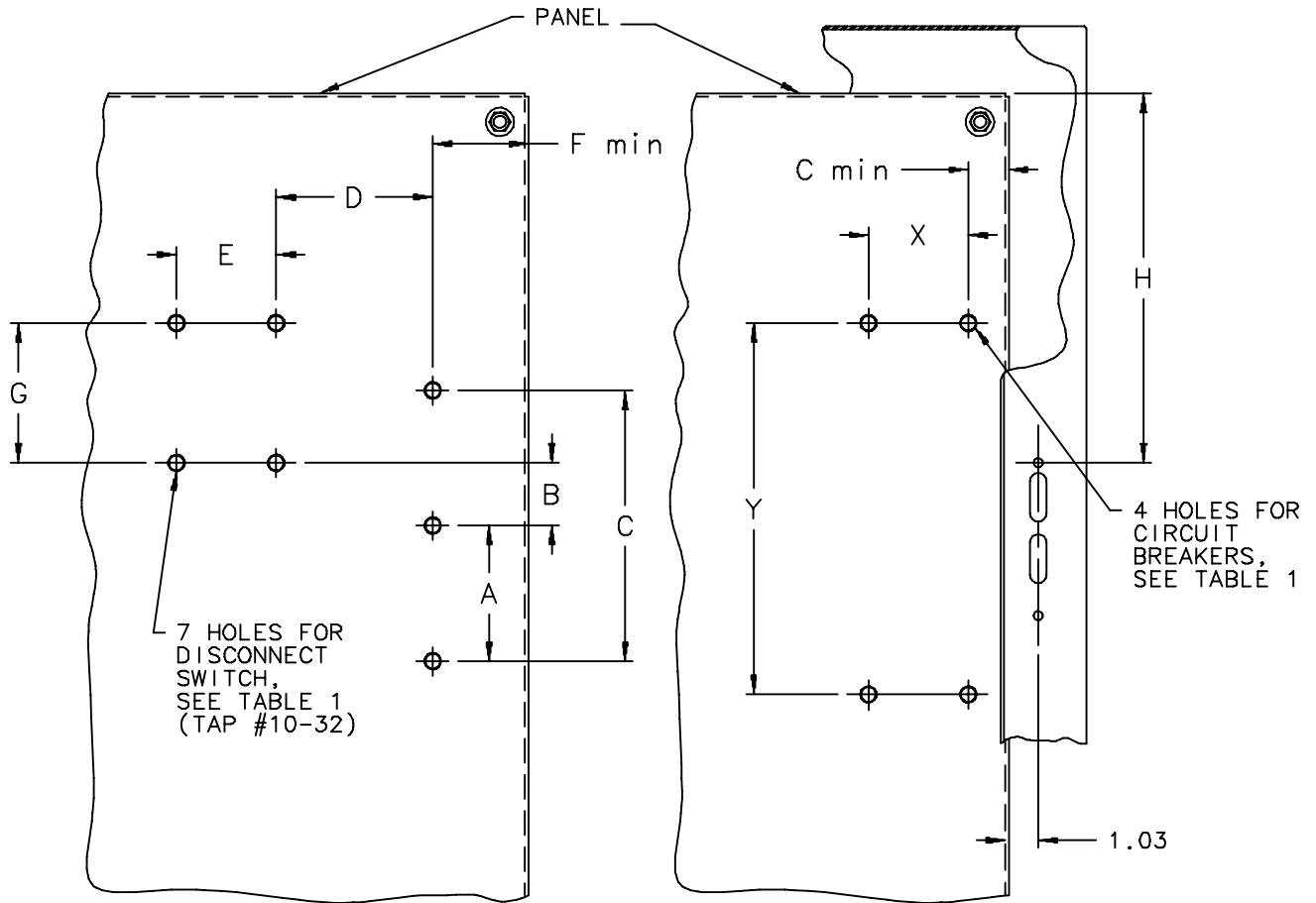


Figure 3 ITE

**Wall-Mounted Disconnect Enclosures
Installation Instructions for Siemens (I-T-E) Max Flex™
Flexible Cable Operating Mechanisms**

TABLE 1 Sub-Panel Drilling For Disconnect Switches									
I-T-E* Mechanism	Fits Disconnect Device	No. of Holes	A	B	C	D	E	F _{min}	G
FHOS06036R	30 A SW.	4 & 3	2.00	1.69	5.10	2.88	1.50	.66	1.89
FHOS06036R	60 A SW.	4 & 3	2.00	1.69	5.10	2.88	1.50	.66	1.89
FHOS06036R	100 A SW.	4 & 3	2.00	.82	5.10	3.21	1.81	.66	3.00
FHOS20036R	200 A SW.	4 & 3	2.50	-1.00	5.50	1.00	7.86	.62	5.44

TABLE 1 Sub-Panel Drilling For Circuit Breakers					
I-T-E* Mechanism	No. of Holes	Hole Size	X	Y	C _{min}
FHOE036	4	8-32	1.00	5.00	1.00
FHOF036	4	1/4-20	1.50	7.50	1.50
FHOJ036	4	1/4-20	2.50	9.75	2.50
FHOLM036	4	1/4-20	2.50	9.75	2.50

* These mechanisms include 36" operating cables. If longer cables are needed, order I-T-E components separately.

TABLE 2 Location of Disconnect Operating Handle			
Bulletin	Hoffman Disconnect Enclosure Description	Enclosure Depth	H
A25	Wall Mounted Disconnect Enclosure	8.00	3.25
		10.00	5.59
		12.00	10.13
		16.00	10.13

Step1 – Determine disconnect hole pattern from [Figure 3 I-T-E](#) and the above tables. See disconnect manufacturers instructions for range of disconnect location based on cable length being used and depth of enclosure.

NOTE – Locate disconnect so appropriate wire bend space is provided for the line side wire size being used. Refer to National Electrical Code Article 430-10b for wire bend space required.

Wall-Mounted Disconnect Enclosures
 Installation Instructions for Square D 9422
 Flexible Cable Operating Mechanisms

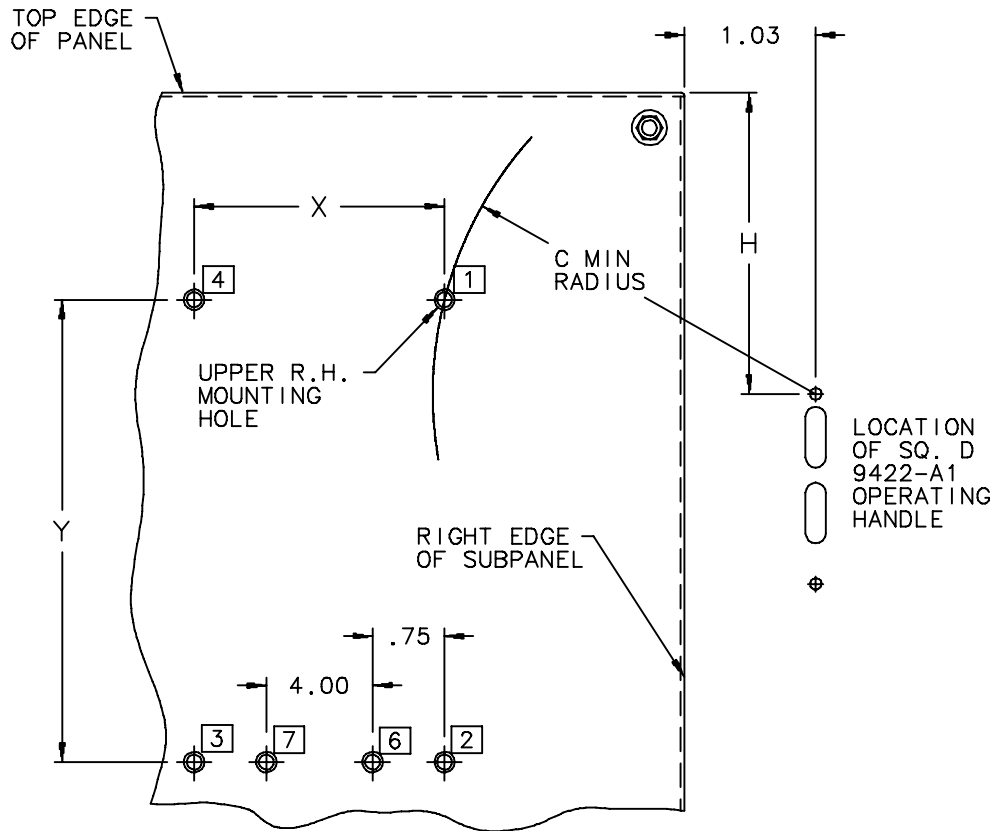


Figure 3 SQ D

**Wall-Mounted Disconnect Enclosures
Installation Instructions for Square D 9422
Flexible Cable Operating Mechanisms**

TABLE 1 Sub-Panel Drilling							
Cable Mechanism	Disconnect Mechanism	No. of Holes	Hole Position	Hole Size	X	Y	C _{min} *
CFT	TCN, TCF	4	1,4,6,7	10-24	5.50	4.50	1.00
	TDN, TDF	4	1,4,6,7	10-24	5.50	4.50	1.00
	TEN, TEF	4	1,4,6,7	10-24	5.50	4.50	1.00
CGJ	GJL	4	1,2,3,4	8-32	1.18	3.94	2.50
CFA	FAL, FHL	4	1,2,3,4	8-32	1.50	5.13	3.75
CKA	KAL, KHL	4	1,2,3,4	10-24	1.50	7.13	3.75
CLA**	LAL, LHL	4	1,2,3,4	1/4-20	6.63	6.56	2.25
		4	1,2,3,4	.375 Dia.	2.00	9.25	---

* See Square "D" instructions for range of "C" dimension which vary for 36", 60" and 120" cable lengths.

** See Square "D" instructions for relationship between 1/4-20 and .375 diameter holes for LA circuit breaker.

TABLE 2			
Bulletin	Hoffman Disconnect Enclosure Description	Enclosure Depth	H
A25	Wall Mounted Disconnect Enclosure	8.00	3.25
		10.00	5.59
		12.00	10.13
		16.00	10.13

Step1 – Determine disconnect hole pattern from [Figure 3 SQ. D](#) and the above tables. See disconnect manufacturers instructions for range of disconnect location based on cable length being used and depth of enclosure.

NOTE – Locate disconnect so appropriate wire bend space is provided for the line side wire size being used. Refer to National Electrical Code Article 430-10b for wire bend space required.



A Pentair Company

Hoffman Enclosures Inc.

2100 Hoffman Way
Anoka, MN 55303-1745
(763) 422-2211
www.hoffmanonline.com

Pentair Electronic Packaging

170 Commerce Drive
Warwick, RI 02886
(401) 732-3770
www.pentair-ep.com

Mexico

Pentair Enclosures, S. de R.L. de C.V.
Federico T. de la Chica No. 8 Piso 4 A
Circuito Comercial Plaza Satélite
Ciudad Satélite,
Naucalpan, México C.P. 53100
011-52-55-5393-8263

Canada

Hoffman-Schroff
111 Grangeway Avenue, Suite 504
Scarborough, Ontario M1H 3E9
(416) 289-2770
1-800-668-2500 (Canada only)

Germany

Schroff GmbH
Langenalber Str. 96-100
75334 Straubenhardt
49 (07082) 794-0 www.schroff.de

Great Britain

Schroff UK Ltd.
Maylands Avenue
Hemel Hempstead, Herts HP2 7DE
44 (01442) 240471 www.schroff.co.uk

Sweden

Schroff Scandinavia AB
Box 2003
12821 Skarpnäck
46 08683 61 00 www.schroff.se

France

Schroff Sas
Z.I., 4 rue du Marais
67660 Betschdorf
33 03 88 90 64 90 www.schroff.fr

Italy

Schroff srl
Viale Milano, 119
21013 Gallarate (Varese)
39 0331 79 40 03

Singapore

Hoffman-Schroff Pte. Ltd.
#01-68/71 German Centre
25 International Business Park
Singapore 609916
65 5 62-78 90

Japan

Schroff K.K.
Nisso No. 13 Bldg. 4F
2-5-1 Shinyokohama
Kohoku-Ku, Yokohama shi
Kanagawa 222-0033
81 (045) 476-02 81

Finland

Schroff Scandinavia AB
Peräsimentie 8
03100 Nummela
358 09 222 68 00

Norway

Schroff Scandinavia AB
Bjoernerudveien 24
1266 Oslo
47 022 76 33 60