

ACTUATOR-/INDICATOR COMPONENT WITH INTEGRATED LED
24V AC/DC LAMP HOLDER SCREW TERMINAL GREEN



Figure similar

Product designation	lampholder
Contact block/ lampholder:	
Mounting type	integrated
Number of lampholders	1
General technical data:	
Product function	
• positive opening	No
Product component	
• diode	Yes
• lamp transformer	No
• Light source	Yes
• series resistor	No
Insulation voltage	
• rated value	250 V
Degree of pollution	class 3
Surge voltage resistance rated value	4 kV
Protection class IP	
• of the enclosure	IP40

• of the terminal	IP20
Equipment marking	
• acc. to DIN 40719 extended according to IEC 204-2 acc. to IEC 750	H
• acc. to DIN EN 61346-2	P
• acc. to DIN EN 81346-2	P
Operating voltage 1	
• at AC	
— at 50 Hz rated value	24 V
— at 60 Hz rated value	24 V
• at DC rated value	24 V

Supply voltage:	
Type of voltage of the supply voltage	
• of the light source	AC/DC
Supply voltage 1 of the light source at AC	
• at 50 Hz rated value	24 V
• at 60 Hz rated value	24 V
Supply voltage 1 of the light source at DC	
• rated value	24 V

Auxiliary circuit:	
Number of NC contacts	
• for auxiliary contacts	0
Number of NO contacts	
• for auxiliary contacts	0
Number of CO contacts	
• for auxiliary contacts	0
Consumed current for rated value of supply voltage maximum	18 mA

Connections/ Terminals:	
Type of electrical connection	screw-type terminals
Type of connectable conductor cross-sections	
• for auxiliary contacts	
— solid	2x (1.0 ... 1.5 mm ²)
— solid with core end processing	2x (0.5 ... 0.75 mm ²)
— finely stranded with core end processing	2x (0.5 ... 1.5 mm ²)
• at AWG conductors for auxiliary contacts	2x (18 ... 14)
Tightening torque	
• for auxiliary contacts with screw-type terminals	0.8 N·m

Lamp:	
Type of light source	LED
Color of the light source	green

Ambient conditions:





Ambient temperature

- during operation -25 ... +70 °C
- during storage -25 ... +80 °C

Installation/ mounting/ dimensions:

Mounting type	front mounting
Height	36 mm
Width	10 mm
Depth	20 mm

Certificates/approvals

General Product Approval	Declaration of Conformity	Test Certificates	other		
 CCC	 CSA		 EG-Konf.	spezielle Prüfbescheinigung n	Umweltbestätigung

other

[Bestätigungen](#)

Further information

Information- and Downloadcenter (Catalogs, Brochures,...)

<http://www.siemens.com/industrial-controls/catalogs>

Industry Mall (Online ordering system)

<https://mall.industry.siemens.com/mall/en/en/Catalog/product?mlfb=3SB34001PC>

Cax online generator

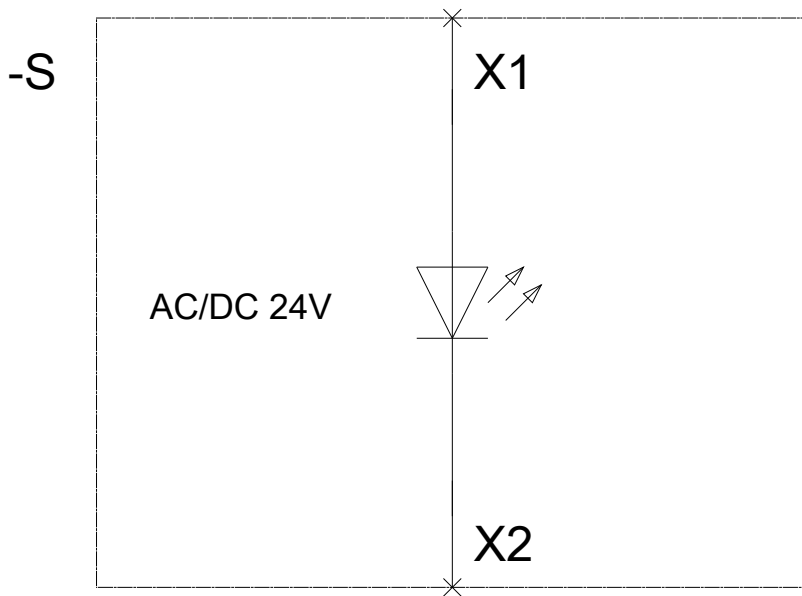
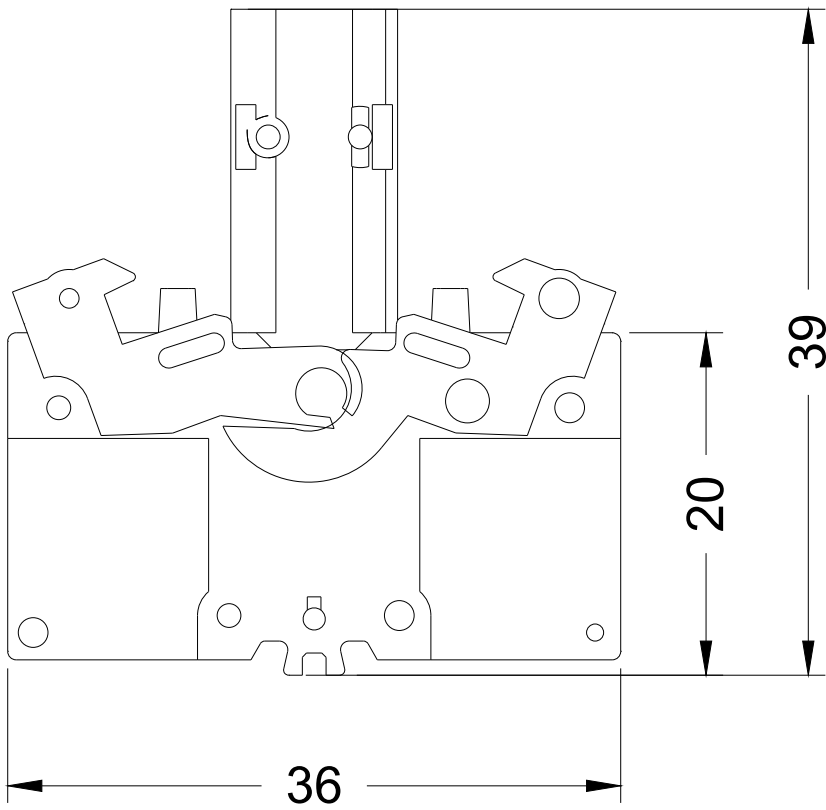
<http://support.automation.siemens.com/WW/CAXorder/default.aspx?lang=en&mlfb=3SB34001PC>

Service&Support (Manuals, Certificates, Characteristics, FAQs,...)

<https://support.industry.siemens.com/cs/ww/en/ps/3SB34001PC>

Image database (product images, 2D dimension drawings, 3D models, device circuit diagrams, EPLAN macros, ...)

http://www.automation.siemens.com/bilddb/cax_de.aspx?mlfb=3SB34001PC&lang=en



last modified:

21.03.2016