

# Cast Device Boxes

## FS & FD Boxes

### Applications:

Cast device boxes are installed to:

- Accommodate wiring devices
- Act as pull boxes for conductors in a conduit system
- Provide openings to make splices and taps in conductors
- Use indoors and outdoors
- Use in applications where boxes may be subjected to rough use

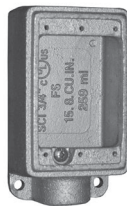
### Features:

- Green ground screw is located on the flange of the box for easy ground wire termination and is standard on boxes
- Suitable for use in wet locations when used with gasket and flat blank covers
- Mounting lugs standard
- Tapered threaded hubs (NPT) with integral bushing
- Available as shallow (FS) or deep (FD) configuration
- Ample wiring room provided in either FS or FD configuration
- Wide selection of surface or flush covers available in three materials (sheet malleable, steel, aluminum)
- Malleable iron construction provides high tensile strength for strong, dependable service
- Covers are individually bagged and supplied with screws

### Certifications and Compliances:

- cULus
- cCSAus

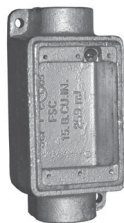
### FS BOXES



FSM1

Cat. #	Size	Unit Qty.	Wt. Lbs. Per 100
FSM1	1/2"	5	222
FSM2	3/4"	5	234
FSM3	1"	5	243

### FSC BOXES



FSCM1

Cat. #	Size	Unit Qty.	Wt. Lbs. Per 100
FSCM1	1/2"	5	234
FSCM2	3/4"	5	241
FSCM3	1"	5	250

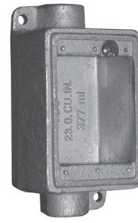
### FD BOXES



FDM1

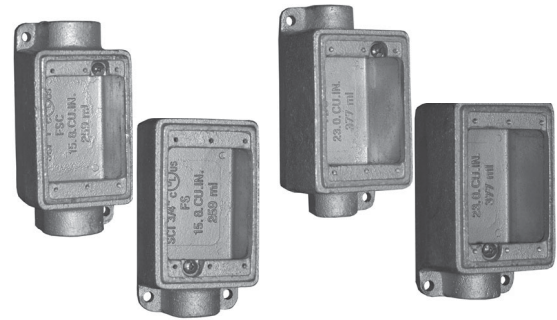
Cat. #	Size	Unit Qty.	Wt. Lbs. Per 100
FDM1	1/2"	2	278
FDM2	3/4"	2	273
FDM3	1"	2	284

### FDC BOXES



FDCM1

Cat. #	Size	Unit Qty.	Wt. Lbs. Per 100
FDCM1	1/2"	2	313
FDCM2	3/4"	2	294
FDCM3	1"	2	306



### Standard Material:

- Malleable iron

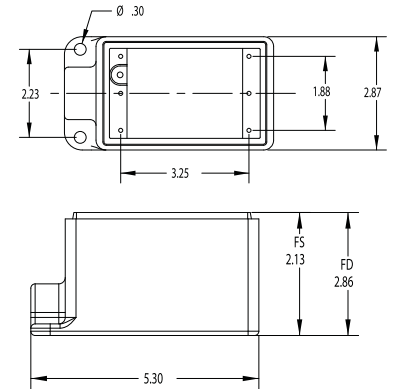
### Standard Finish:

- Malleable iron – zinc electroplate

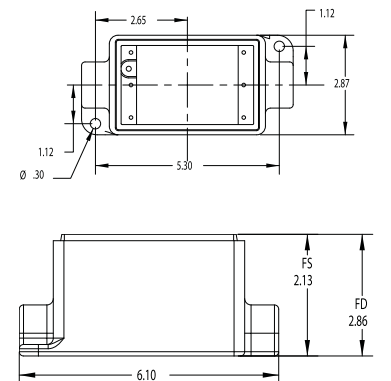
### Options:

Description	Suffix
• Hot dip galvanized .....	<b>HDG</b>

### FS & FD Dimensions



### FSC & FDC Dimensions



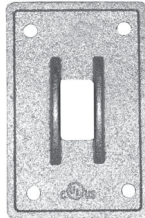
# Cast Device Boxes

## FS & FD Covers

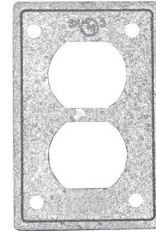
### FS & FD COVERS – MALLEABLE



FBCM1



SWCM1



RCM1

Cat. #	Description	Unit Qty.	Wt. Lbs. Per 100
FBCM1	Malleable Iron Flat Blank Cover	25	56
SWCM1	Malleable Iron Switch Cover	25	63
RCM1	Malleable Iron Duplex Receptacle Cover	25	55

### FS & FD COVERS – STEEL



FBCS1



SWCS1



RCS1



GFICS1

Cat. #	Description	Unit Qty.	Wt. Lbs. Per 100
FBCS1	Steel Flat Blank Cover	25	18
SWCS1	Steel Switch Cover	25	16
RCS1	Steel Duplex Receptacle Cover	25	13
GFICS1	Steel GFCI Cover	25	12

### FS & FD COVERS – ALUMINUM



FBCA1

Cat. #	Description	Unit Qty.	Wt. Lbs. Per 100
FBCA1	Aluminum Flat Blank Cover	25	9

### FS & FD BOX GASKETS



FSGSK1

Cat. #	Description	Unit Qty.	Wt. Lbs. Per 100
FSGSK1	Neoprene Gasket	25	3.5