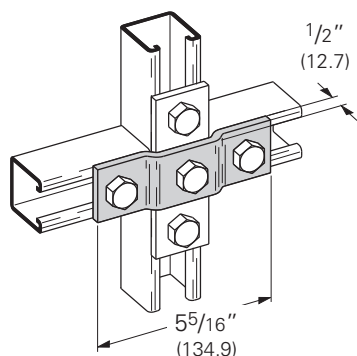


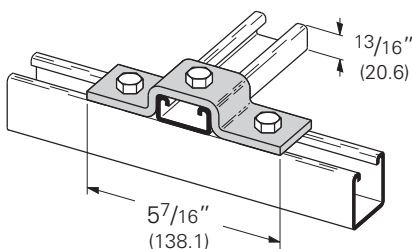
B527 Three Hole Offset Plate Connection

- Standard finishes: ZN, GRN
- Wt./C 54 Lbs. (24.5 kg)



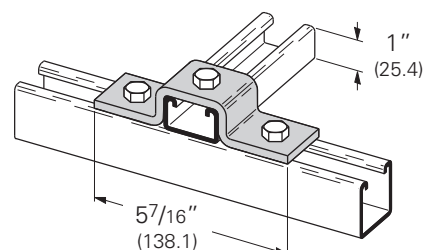
B116-52 Three Hole U-Support

- Standard finishes: ZN, GRN
- Wt./C 70 Lbs. (31.7 kg)



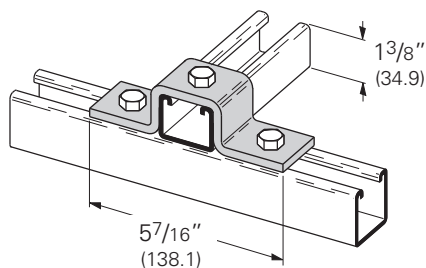
B116-42 Three Hole U-Support

- Standard finishes: ZN, GRN
- Wt./C 75 Lbs. (34.0 kg)



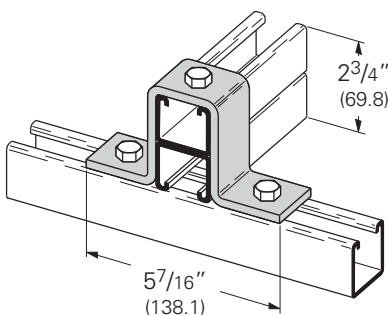
B116-32 Three Hole U-Support

- Standard finishes: ZN, GRN
- Wt./C 84 Lbs. (38.1 kg)



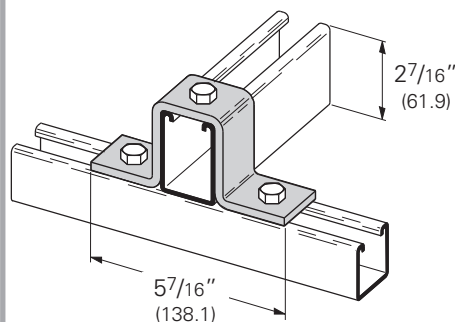
B116-32A Three Hole U-Support

- Standard finishes: ZN, GRN
- Wt./C 116 Lbs. (52.6 kg)



B116-12 Three Hole U-Support

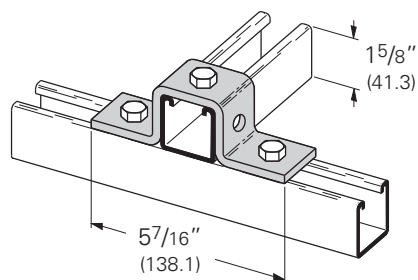
- Standard finishes: ZN, GRN
- Wt./C 108 Lbs. (49.0 kg)



B107 Five Hole U-Support

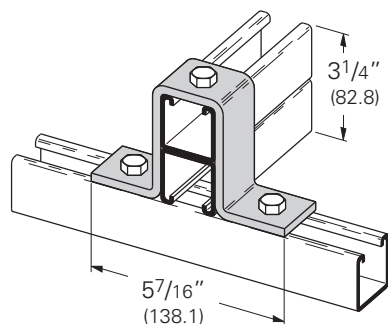
- Standard finishes: ZN, GRN, HDG
- Wt./C 85 Lbs. (38.5 kg)

PA ZN
GRN



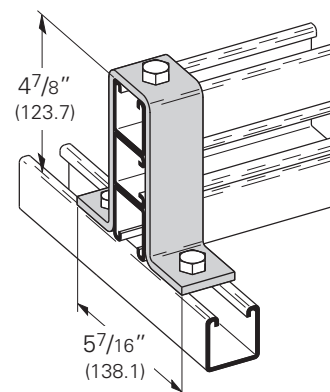
B107-22A Three Hole U-Support

- Standard finishes: ZN, GRN
- Wt./C 126 Lbs. (57.1 kg)



B588 Three Hole U-Support

- Standard finishes: ZN, GRN
- Wt./C 157 Lbs. (71.2 kg)



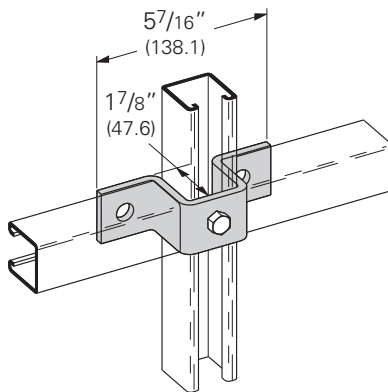
PA Pre-assembled fitting.

Reference page 73 for general fitting and standard finish specifications.

'U' Fittings

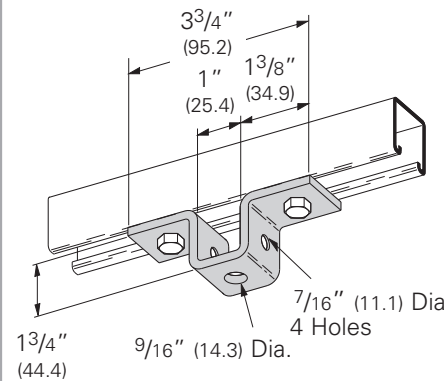
B412 Three Hole Offset U-Support

- Standard finishes: ZN, GRN
- Wt./C 89 Lbs. (40.3 kg)



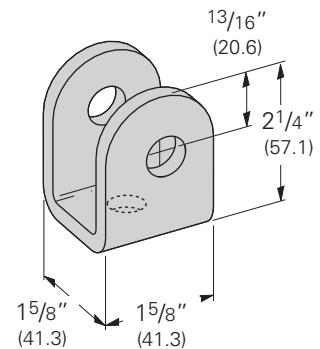
B107S Five Hole U-Support

- Material: 7 Gauge (4.5)
ASTM A1011 33,000 PSI min. yield
- Standard finishes: ZN, GRN
- Wt./C 51 Lbs. (23.1 kg)



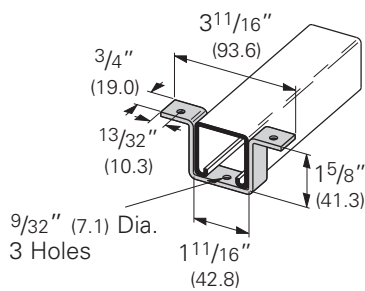
B596 Three Hole Swivel Clevis

- Material: 7 Gauge (4.5)
- Standard finishes: ZN, GRN
- Wt./C 53 Lbs. (24.0 kg)



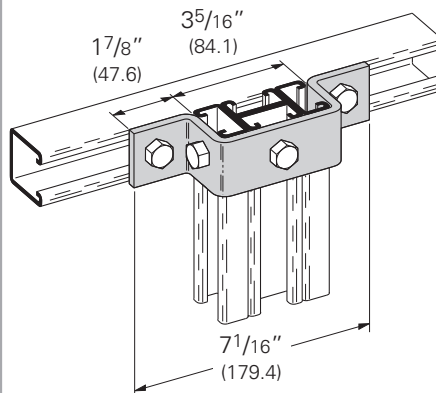
B578 Three Hole Light-Weight U-Support

- Material: 10 Gauge (3.4)
ASTM A1011 HSLAS Gr. 50
- Standard finishes: ZN, GRN
- Wt./C 18 Lbs. (8.1 kg)



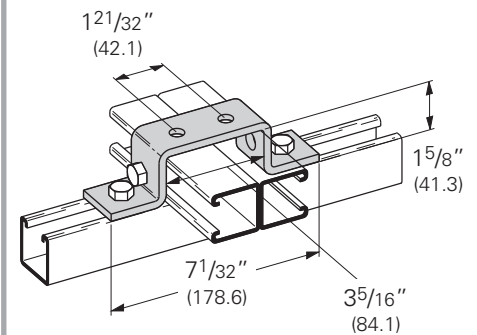
B594 Five Hole U-Support

- Standard finishes: ZN, GRN
- Wt./C 106 Lbs. (48.1 kg)



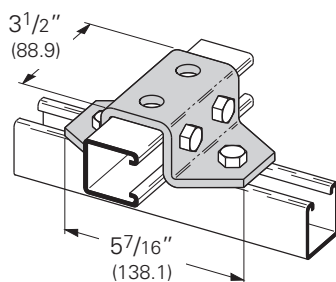
B266 Six Hole U-Support

- Standard finishes: ZN, GRN
- Wt./C 105 Lbs. (47.6 kg)



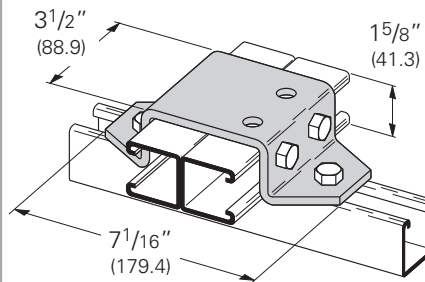
B425 Six Hole U-Support

- Standard finishes: ZN, GRN
- Wt./C 167 Lbs. (75.7 kg)



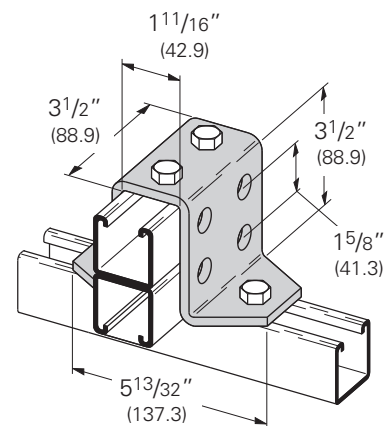
B581 Eight Hole U-Support

- Standard finishes: ZN, GRN
- Wt./C 201 Lbs. (91.2 kg)



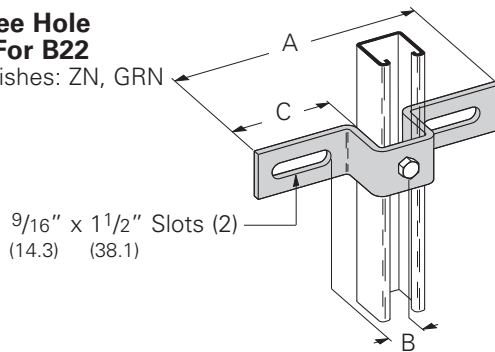
B519 Eight Hole U-Support

- Standard finishes: ZN, GRN
- Wt./C 266 Lbs. (102.5 kg)



B333 Slotted Three Hole U-Support For B22

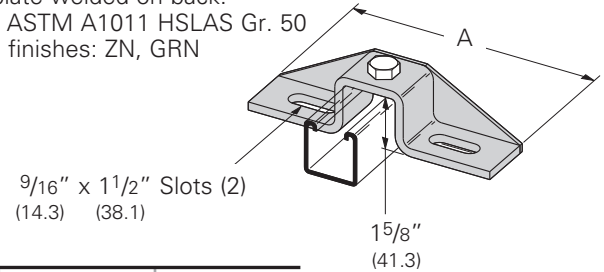
- Standard finishes: ZN, GRN



Part No.	A		B		C		Wt./C	
	In.	mm	In.	mm	In.	mm	Lbs.	kg
B333-1	7 ¹ / ₂ "	(190.5)	1 ⁵ / ₁₆ "	(33.3)	2 ⁷ / ₈ "	(73.0)	103	(46.7)
B333-2	8 ¹ / ₂ "	(215.9)	1 ¹⁵ / ₁₆ "	(49.2)	3 ³ / ₈ "	(85.7)	115	(52.1)
B333-3	10 ³ / ₈ "	(263.5)	2 ⁷ / ₈ "	(73.0)	4 ⁵ / ₁₆ "	(109.5)	135	(61.2)

B451 Slotted Three Hole U-Support With Gusset For B22

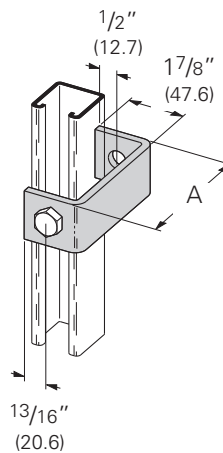
- Consists of B333-1, 2, or 3 with gusset plate welded on back.
- Material: ASTM A1011 HSLAS Gr. 50
- Standard finishes: ZN, GRN



Part No.	A		Wt./C	
	In.	mm	Lbs.	kg
B451-1	7 ¹ / ₂ "	(190.5)	137	(62.1)
B451-2	8 ¹ / ₂ "	(215.9)	156	(70.7)
B451-3	10 ³ / ₈ "	(263.5)	172	(78.0)

B408 Two Hole Bus Duct Clevis

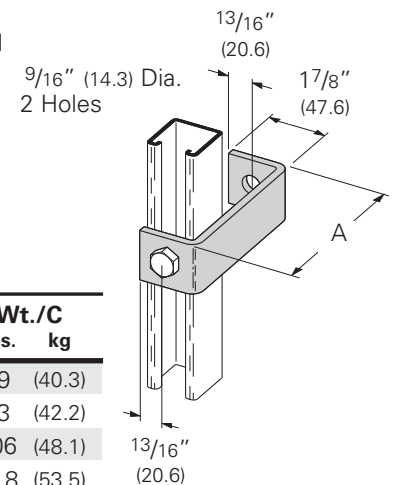
- Standard finishes: ZN, GRN



Part No.	A		Wt./C	
	In.	mm	Lbs.	kg
B408-1	2 ¹³ / ₃₂ "	(61.1)	58	(26.3)
B408-2	3 ²⁵ / ₃₂ "	(96.0)	76	(34.5)
B408-3	4 ³ / ₄ "	(762.0)	88	(39.9)

B358 Two Hole Clevis

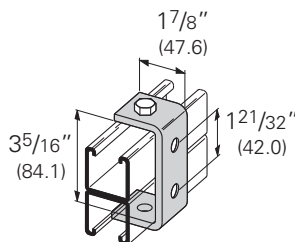
- Standard finishes: ZN, GRN



Part No.	A		Wt./C	
	In.	mm	Lbs.	kg
B358-4	4"	(101.6)	89	(40.3)
B358-5	5"	(127.0)	93	(42.2)
B358-6	6"	(152.4)	106	(48.1)
B358-7	7"	(177.8)	118	(53.5)
B358-8	8"	(203.2)	132	(59.9)

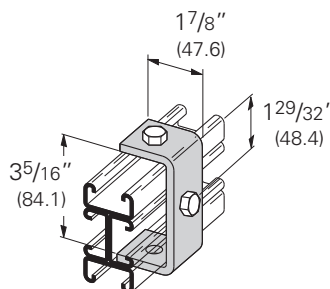
B173 Four Hole Clevis

- Standard finishes: ZN, GRN
- Wt./C 71 Lbs. (32.2 kg)



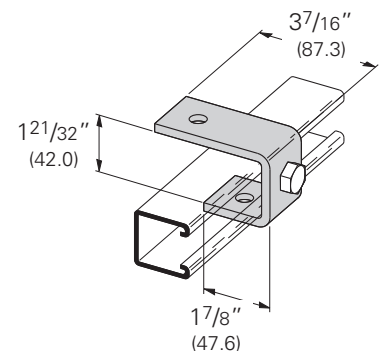
B595 Three Hole Clevis

- Standard finishes: ZN, GRN
- Wt./C 75 Lbs. (34.0 kg)



B405 Three Hole Suspension Clevis

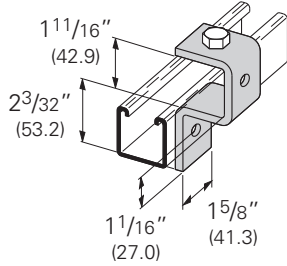
- Standard finishes: ZN, GRN
- Wt./C 75 Lbs. (34.0 kg)



'U' Fittings

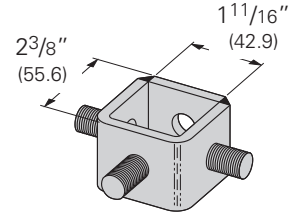
B398-1 Three Hole Cup Support

- Standard finishes: ZN, GRN
- Wt./C 73 Lbs. (33.1 kg)



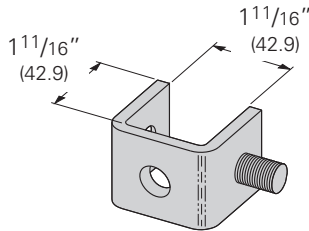
B400 Three Stud Ring Connection

- 1/2"-13 stud protrudes 1" (25.4mm)
- Standard finishes: ZN
- Wt./C 85 Lbs. (38.5 kg)



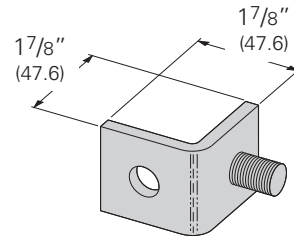
B400-1 One Stud Ring Connection

- 1/2"-13 stud protrudes 1" (25.4mm)
- Standard finishes: ZN
- Wt./C 53 Lbs. (24.0 kg)



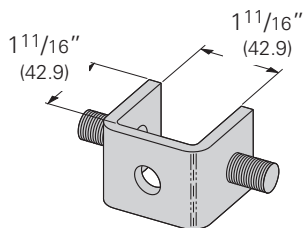
B400-2 One Stud Ring Connection

- 1/2"-13 stud protrudes 1" (25.4mm)
- Standard finishes: ZN
- Wt./C 40 Lbs. (18.1 kg)



B400-3 Two Stud Ring Connection

- 1/2"-13 stud protrudes 1" (25.4mm)
- Standard finishes: ZN
- Wt./C 59 Lbs. (26.7 kg)



B400-4 Two Stud Ring Connection

- 1/2"-13 stud protrudes 1" (25.4mm)
- Standard finishes: ZN
- Wt./C 59 Lbs. (26.7 kg)

