



Optanium T8 Programmed Start

OPTANIUM IOP3PSP32SC35M

Philips Advance Optanium high-efficiency electronic ballasts are engineered to optimize lighting performance and maximize energy savings. These ballasts provide an unparalleled package of features and benefits to support the wide variety of T8 fluorescent lamps.

Product data

General Information	
Lamp Type	F32T8
Number of Lamps	2/3 piece/unit
Ballast Type	Electronic Fluorescent
Base Model	IOP3PSP32SC
Suitable For Outdoor Use	Yes
Automatic Restart	Yes
Operating and Electrical	
Input Voltage	120 to 277 V
Input Frequency	50 to 60 Hz
Total Harmonic Distortion USA	10 %
Ignition Method	Programmed Start
Crestfactor (Nom)	1.6
Ignition Time (Nom)	1.5 s
Ballast Factor (Nom)	0.88
Power Factor (Nom)	0.98
Input Current (Max)	0.71 A
Input Current (Min)	0.31 A
Input Power (Nom)	85-84 W

Rated Lamp Power	32 W
Wiring	
Color Input Terminals	No terminals
Color Output Terminals	No terminals
Wire Striplength	0.50/0.375 mm
Lamp Connection	Parallel
Wire Length by Color	See data sheet
Wire Gauge (Nom)	18AWG mm
Wire Type	Solid
Remote Wiring Configuration Allowed	Yes
Tandem Wiring Configuration Allowed	Yes
Through Wiring Configuration Allowed	Yes
Max Ballast-Lamp Distance Remote Wiring	20'
Max Ballast-Lamp Distance Tandem Wiring	Any = 20'
Max Ballast-Lamp Distance Through Wiring	Any = 20'
Connector Type	No connector
Temperature	
T-Case Maximum (Nom)	70 °C

Optanium T8 Programmed Start

Mechanical and Housing

Housing Material	Metal
Housing	SC
Housing Dimensions	9.5" x 1.7" x 1.18"

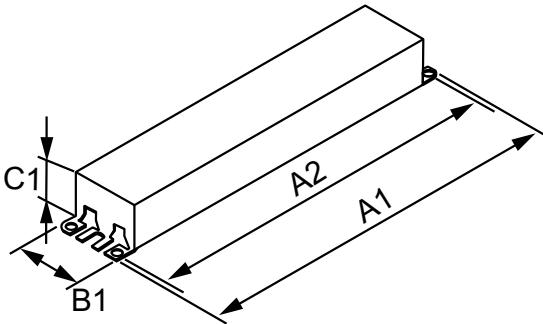
Approval and Application

EMC Immunity Standard	FCC Non-Consumer
Approval Marks	CSA certificate UL certificate CEC Listing CEE Rated NEMA Premium RoHS Compliant
Hum And Noise Level	A
UL Recognized	No

Product Data

Order product name	OPTANIUM IOP3PSP32SC35M
EAN/UPC - Product	781087081648
Order code	913710894402
Numerator - Quantity Per Pack	1
Numerator - Packs per outer box	20
Material Nr. (12NC)	913710894402
Net Weight (Piece)	0.595 kg

Dimensional drawing



ELE BALLAST (3) F32T8 120-277V

Product	A1	A2	B1	C1
OPTANIUM IOP3PSP32SC35M	9.5 in	8.90 in	1.7 in	1.18 in

