

# Powertite® 400 Amp Pin and Sleeve Connectors and Plugs

600 Vac, 250 Vdc, 50-400 Hz.

Wire Recess Diameter: .84" or 1.25". Wire Size Range: 400MCM—1000MCM. Solder Wire Terminals.



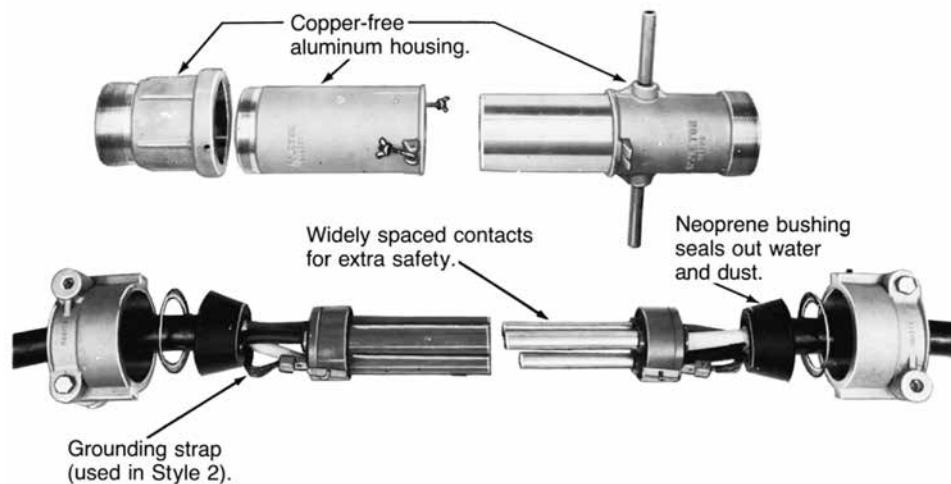
Plugs and Receptacles

PLUGS AND RECEPTACLES: ORDINARY LOCATION

Wire Recess Dia. (Inches)	Grounding Style	Wire/Pole	Connector Body Only	Plug Only	Cable Dia. (Inches)
0.84 †	Style 1 (Shell Only)	3W, 3P	<b>ARC40033E</b>	<b>AP40033E</b>	1.875 to 2.500
		4W, 4P	<b>ARC40044E</b>	<b>AP40044E</b>	1.875 to 2.500
	Style 2 (Shell and Extra Pole)	2W, 3P	<b>ARC40023E</b>	<b>AP40023E</b>	1.875 to 2.500
		3W, 4P	<b>ARC40034E</b>	<b>AP40034E</b>	1.875 to 2.500
1.25	Style 1 (Shell Only)	3W, 3P	<b>ARC40133F</b>	<b>AP40133F</b>	2.500 to 3.000
			<b>ARC40133G</b>	<b>AP40133G</b>	3.000 to 3.500
		4W, 4P	<b>ARC40144F</b>	<b>AP40144F</b>	2.500 to 3.000
		<b>ARC40144G</b>	<b>AP40144G</b>	3.000 to 3.500	
	Style 2 (Shell and Extra Pole)	2W, 3P	<b>ARC40123F</b>	<b>AP40123F</b>	2.500 to 3.000
			<b>ARC40123G</b>	<b>AP40123G</b>	3.000 to 3.500
3W, 4P		<b>ARC40134F</b>	<b>AP40134F</b>	2.500 to 3.000	
		<b>ARC40134G</b>	<b>AP40134G</b>	3.000 to 3.500	

**Solder wire terminals standard on all models.**  
 For Reverse Service add suffix **-RS** to Catalog Number.  
 For Special Polarization add suffix **-P4** to Catalog Number.

## Pin and Sleeve Design



**Energized contacts** deeply recessed to reduce danger of accidental touching, minimize possibility of exposed arcs. Insulator quenches arcing, and is resistant to abnormal heat and to fire.

**Plug mechanical cable clamps** provide strain relief at conductor connections, allow easy cable replacement.

† Pressure terminal kits available for .84 wire recess size only to convert solder terminal to pressure terminal. See Replacement Parts page.