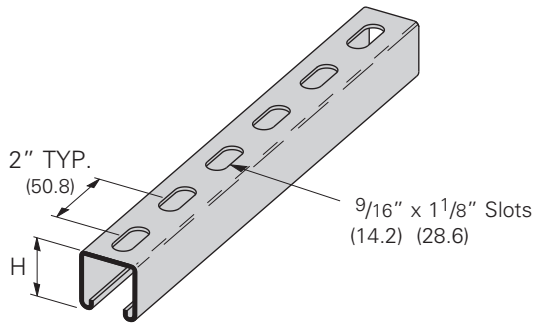


Aluminum

SH Type Channel

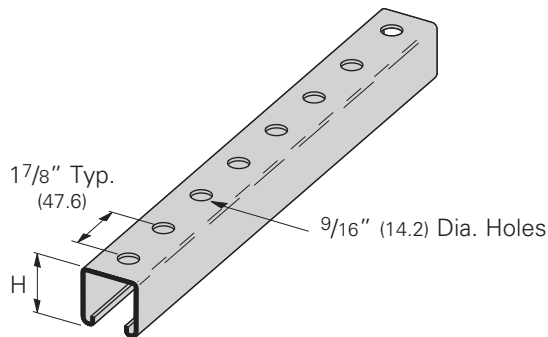
- Material: Aluminum



Part No.	Thickness		H		Wt./C	
	in.	mm	in.	mm	Lbs./Ft.	kg/m
B12SH AL	.105	(2.6)	27/16"	(61.9)	.83	(1.23)
B22SH AL	.105	(2.6)	15/8"	(41.3)	.63	(.93)
B24SH AL	.080	(2.0)	15/8"	(41.3)	.49	(.73)
B54SH AL	.080	(2.0)	13/16"	(20.6)	.34	(.50)

H-17/8 Type Channel

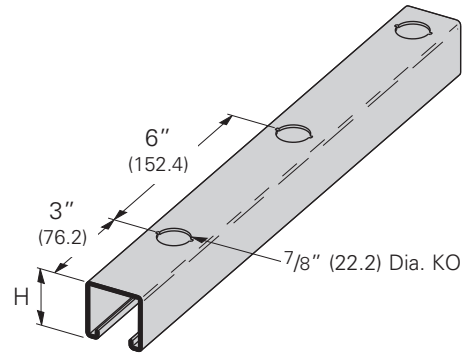
- Material: Aluminum



Part No.	Thickness		H		Wt./C	
	in.	mm	in.	mm	Lbs./Ft.	kg/m
B12H17/8 AL	.105	(2.6)	27/16"	(61.9)	.86	(1.28)
B22H17/8 AL	.105	(2.6)	15/8"	(41.3)	.66	(.98)
B24H17/8 AL	.080	(2.0)	15/8"	(41.3)	.52	(.77)
B54H17/8 AL	.080	(2.0)	13/16"	(20.6)	.37	(.55)

KO6 Type Knockout Channel

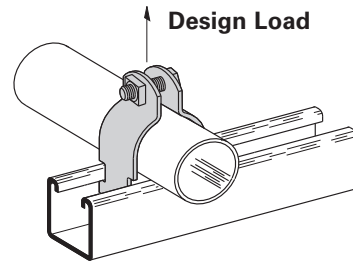
- Material: Aluminum



Part No.	Thickness		H		Wt./C	
	in.	mm	in.	mm	Lbs./Ft.	kg/m
B12KO6 AL	.105	(2.6)	27/16"	(61.9)	.86	(1.28)
B22KO6 AL	.105	(2.6)	15/8"	(41.3)	.66	(.98)
B24KO6 AL	.080	(2.0)	15/8"	(41.3)	.52	(.77)
B54KO6 AL	.080	(2.0)	13/16"	(20.6)	.37	(.56)

B2000 Series Rigid Conduit Clamps

- Safety Factor of 5
- Machine Screw and Square Nut included
- Pipe clamp material 5052-H32



Part No.	Conduit or Pipe Size		Material Thickness	Design Load		Wt./C		
	in.	mm		Lbs.	kN	Lbs.	kg	
B2001 AL	3/8"	(10)	.063	(1.6)	180	(.80)	4	(1.8)
B2008 AL	1/2"	(15)	.063	(1.6)	180	(.80)	4	(1.8)
B2009 AL	3/4"	(20)	.080	(2.0)	270	(1.20)	6	(2.7)
B2010 AL	1"	(25)	.080	(2.0)	270	(1.20)	7	(3.2)
B2011 AL	1 1/4"	(32)	.080	(2.0)	270	(1.20)	8	(3.6)
B2012 AL	1 1/2"	(40)	.100	(2.5)	360	(1.60)	11	(5.0)
B2013 AL	2"	(50)	.100	(2.5)	360	(1.60)	12	(5.4)
B2014 AL	2 1/2"	(65)	.100	(2.5)	360	(1.60)	13	(5.9)
B2015 AL	3"	(80)	.100	(2.5)	360	(1.60)	16	(7.2)
B2016 AL	3 1/2"	(90)	.125	(3.2)	450	(2.00)	22	(10.0)
B2017 AL	4"	(100)	.125	(3.2)	450	(2.00)	24	(10.9)
B2018 AL	4 1/2"	(115)	.125	(3.2)	450	(2.00)	26	(11.8)
B2019 AL	5"	(125)	.125	(3.2)	450	(2.00)	27	(12.2)
B2020 AL	6"	(150)	.125	(3.2)	450	(2.00)	33	(14.9)

Reference page 177 for general fitting specifications. Other channel combinations available-see steel section for styles.