

CONTINUOUS HINGE WITH QUARTER-TURN LATCH, TYPE 4



APPLICATION

This enclosure provides the convenience of quarter-turn latching with an aesthetic, easy-to-maintain light gray textured finish.

SPECIFICATIONS

- 16 or 14 gauge steel
- Seams continuously welded and ground smooth
- Continuous hinge
- Bonding provision on door
- External welded-on mounting brackets for easy installation
- Oil-resistant gasket
- Quarter-turn slotted latches
- Seamless foam-in-place gasket
- Weldnuts provided for mounting optional panels and terminal block kits in size 6.00 x 4.00 in. (152 x 102 mm) and larger

FINISH

RAL 7035 gray polyester powder paint inside and out.

ACCESSORIES

See also *Accessories*.

Panels for Junction Boxes

Junction Box and Wall-Mount Enclosure Swing Out Panel Kit

Terminal Block Kit Assembly for Junction Boxes Overview

Steel and Stainless Steel Window Kits

MODIFICATION AND CUSTOMIZATION

Hoffman excels at modifying and customizing products to your specifications. Contact your local Hoffman sales office or distributor for complete information.

BULLETIN: A51FL

INDUSTRY STANDARDS

UL 508A Listed; Type 4, 12; File No. E61997
 cUL Listed per CSA C22.2 No. 94 Listed; Type 4, 12; File No. E61997

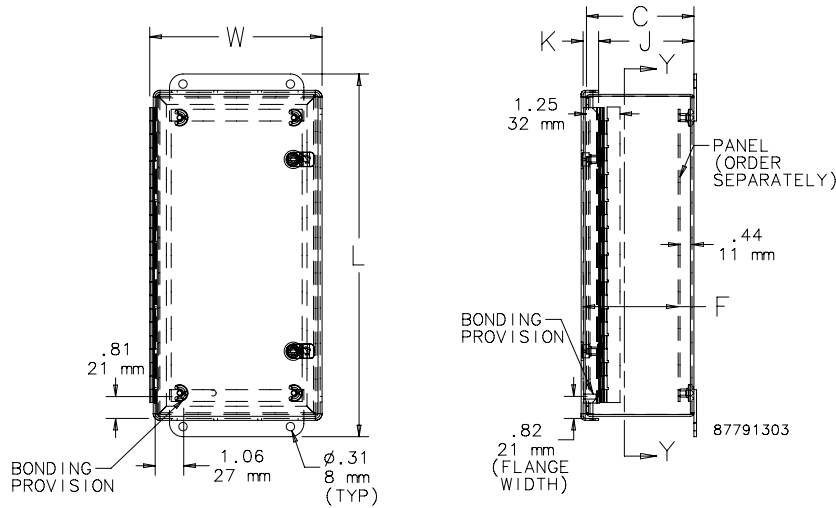
NEMA/EEMAC Type 4 and 12
 IEC 60529, IP 66

Standard Product

Catalog Number	AxBxC in./mm	Gauge	Panel	Conductive Panel	Panel Size in./mm	Mounting G x H in./mm	Overall L x W in./mm	F in./mm	J in./mm	K in./mm	T in./mm	V in./mm	Y in./mm	No. of Latches
A404CHFL	4.00 x 4.00 x 3.00 102 x 102 x 76	16	No Panel	No Panel	—	4.75 x 2.00 121 x 51	5.50 x 4.41 140 x 112	—	2.62 66	0.54 14	3.00 76	—	—	1
A604CHFL	6.00 x 4.00 x 3.00 152 x 102 x 76	16	A6P4	A6P4G	4.88 x 2.88 124 x 73	6.75 x 2.00 171 x 51	7.50 x 4.41 191 x 112	2.53 64	2.62 66	0.54 14	3.00 76	0.31 8	0.56 14	1
A806CHFL	8.00 x 6.00 x 3.50 203 x 152 x 89	14	A8P6	A8P6G	6.75 x 4.88 171 x 124	8.75 x 4.00 222 x 102	9.50 x 6.41 241 x 163	3.03 77	3.12 79	0.56 14	5.00 127	0.25 6	0.62 16	2
A4044CHFL	4.00 x 4.00 x 4.00 102 x 102 x 102	16	No Panel	No Panel	—	4.75 x 2.00 121 x 51	5.50 x 4.41 140 x 112	—	3.62 92	0.54 14	3.00 76	—	—	1
A6044CHFL	6.00 x 4.00 x 4.00 152 x 102 x 102	16	A6P4	A6P4G	4.88 x 2.88 124 x 73	6.75 x 2.00 171 x 51	7.50 x 4.41 191 x 112	3.53 90	3.62 92	0.54 14	3.00 76	0.31 8	0.56 14	1
A606CHFL	6.00 x 6.00 x 4.00 152 x 152 x 102	16	A6P6	A6P6G	4.88 x 4.88 124 x 124	6.75 x 4.00 171 x 102	7.50 x 6.41 191 x 163	3.53 90	3.62 92	0.54 14	5.00 127	0.31 8	0.56 14	1
A808CHFL	8.00 x 8.00 x 4.00 203 x 203 x 102	14	A8P8	A8P8G	6.75 x 6.88 171 x 175	8.75 x 6.00 222 x 152	9.50 x 8.41 241 x 214	3.53 90	3.62 92	0.56 14	7.00 178	0.25 6	0.62 16	2
A1008CHFL	10.00 x 8.00 x 4.00 254 x 203 x 102	14	A10P8	A10P8G	8.75 x 6.88 222 x 175	10.75 x 6.00 273 x 152	11.50 x 8.41 292 x 214	3.53 90	3.62 92	0.56 14	7.00 178	0.25 6	0.62 16	2
A12064CHFL	12.00 x 6.00 x 4.00 305 x 152 x 102	14	A12P6	A12P6G	10.75 x 4.88 273 x 124	12.75 x 4.00 324 x 102	13.50 x 6.41 343 x 163	3.53 90	3.62 92	0.56 14	5.00 127	0.25 6	0.62 16	2
A1210CHFL	12.00 x 10.00 x 5.00 305 x 254 x 127	14	A12P10	A12P10G	10.75 x 8.88 273 x 226	12.75 x 8.00 324 x 203	13.50 x 10.41 343 x 264	4.53 115	4.62 117	0.56 14	9.00 229	0.25 6	0.62 16	2
A8066CHFL	8.00 x 6.00 x 6.00 203 x 152 x 152	14	A8P6	A8P6G	6.75 x 4.88 171 x 124	8.75 x 4.00 222 x 102	9.50 x 6.41 241 x 163	5.53 140	5.62 143	0.56 14	5.00 127	0.25 6	0.62 16	2
A10086CHFL	10.00 x 8.00 x 6.00 254 x 203 x 152	14	A10P8	A10P8G	8.75 x 6.88 222 x 175	10.75 x 6.00 273 x 152	11.50 x 8.41 292 x 214	5.53 140	5.62 (143) 143	0.56 14	7.00 178	0.25 6	0.62 16	2
A10106CHFL	10.00 x 10.00 x 6.00 254 x 254 x 152	14	A10P10	A10P10G	8.75 x 8.88 222 x 226	10.75 x 8.00 273 x 203	11.50 x 10.41 292 x 264	5.53 140	5.62 (143) 143	0.56 14	9.00 229	0.25 6	0.62 16	2
A1212CHFL	12.00 x 12.00 x 6.00 305 x 305 x 152	14	A12P12	A12P12G	10.75 x 10.88 273 x 276	12.75 x 10.00 324 x 254	13.50 x 12.41 343 x 314	5.53 140	5.62 (143) 143	0.56 14	11.00 279	0.25 6	0.62 16	2
A14086CHFL	14.00 x 8.00 x 6.00 356 x 203 x 152	14	A14P8	A14P8G	14.75 x 6.88 324 x 175	14.75 x 6.00 375 x 152	15.50 x 8.41 394 x 214	5.53 140	5.62 (143) 143	0.56 14	7.00 178	0.25 6	0.62 16	2
A1412CHFL	14.00 x 12.00 x 6.00 356 x 305 x 152	14	A14P12	A14P12G	12.75 x 10.88 324 x 276	14.75 x 10.00 375 x 254	15.50 x 12.41 394 x 314	5.53 140	5.62 (143) 143	0.56 14	11.00 279	0.25 6	0.62 16	2
A16106CHFL	16.00 x 10.00 x 6.00 406 x 254 x 152	14	A16P10	A16P10G	14.75 x 8.88 375 x 226	16.75 x 8.00 425 x 203	17.50 x 10.41 445 x 264	5.53 140	5.62 (143) 143	0.56 14	9.00 229	0.25 6	0.62 16	2

Catalog Number	AxBxC in./mm	Gauge	Panel	Conductive Panel	Panel Size in./mm	Mounting G x H in./mm	Overall L x W in./mm	F in./mm	J in./mm	K in./mm	T in./mm	V in./mm	Y in./mm	No. of Latches
A1614CHFL	16.00 x 14.00 x 6.00 406 x 356 x 152	14	A16P14	A16P14G	14.75 x 12.88 375 x 327	16.75 x 12.00 425 x 305	17.50 x 14.41 445 x 366	5.53 140	5.62 (143) 143	0.56 14	13.00 330	0.25 6	0.62 16	2
A12108CHFL	12.00 x 10.00 x 8.00 305 x 254 x 203	14	A12P10	A12P10G	10.75 x 8.88 273 x 226	12.75 x 8.00 324 x 203	13.50 x 10.41 343 x 264	7.53 191	7.62 194	0.56 14	9.00 229	0.25 6	0.62 16	2
A14128CHFL	14.00 x 12.00 x 8.00 356 x 305 x 203	14	A14P12	A14P12G	12.75 x 10.88 324 x 276	14.75 x 10.00 375 x 254	15.50 x 12.41 394 x 314	7.53 191	7.62 194	0.56 14	11.00 279	0.25 6	0.62 16	2
A16148CHFL	16.00 x 14.00 x 8.00 406 x 356 x 203	14	A16P14	A16P14G	14.75 x 12.88 375 x 327	16.75 x 12.00 425 x 305	17.50 x 14.41 445 x 366	7.53 191	7.62 104	0.56 14	13.00 330	0.25 6	0.62 16	2
A161410CHFL	16.00 x 14.00 x 10.00 406 x 356 x 254	14	A16P14	A16P14G	14.75 x 12.88 375 x 327	16.75 x 12.00 425 x 305	17.50 x 14.41 445 x 366	9.53 242	9.62 244	0.56 14	13.00 330	0.25 6	0.62 16	2

Purchase panels separately. Optional stainless steel, conductive, composite and aluminum panels are available for most sizes.



SECTION Y-Y