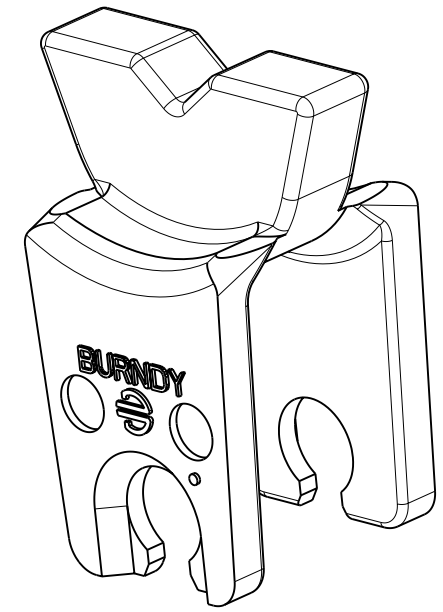
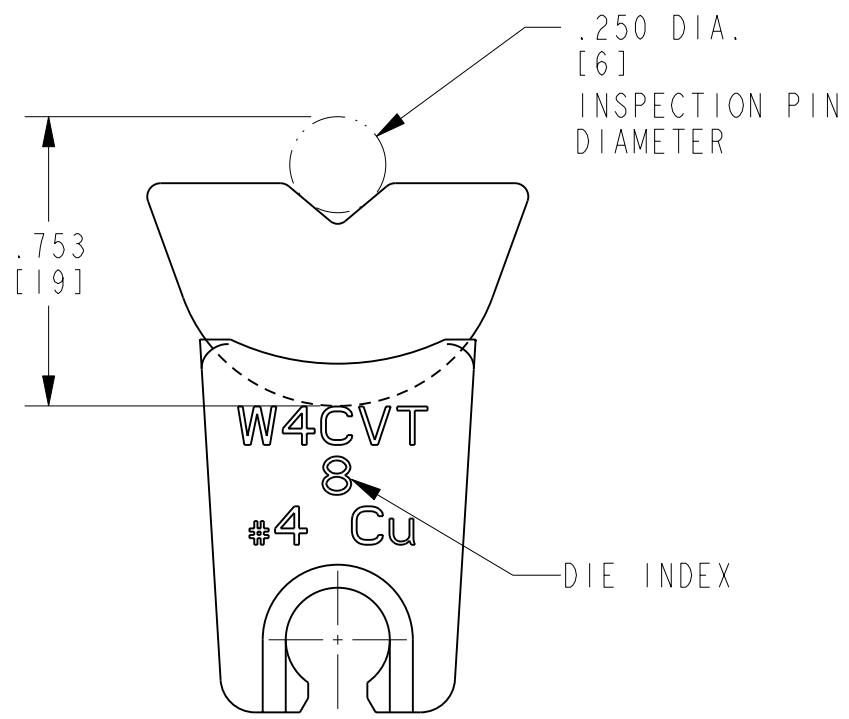
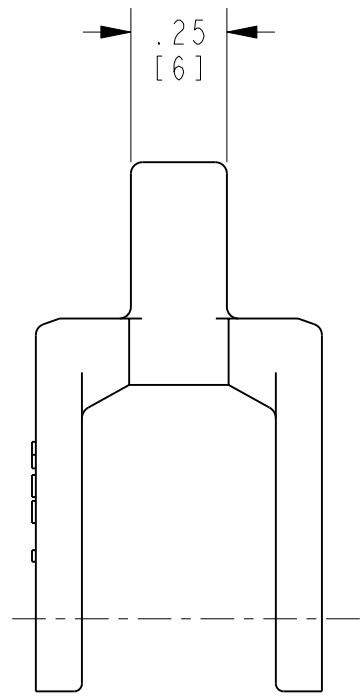
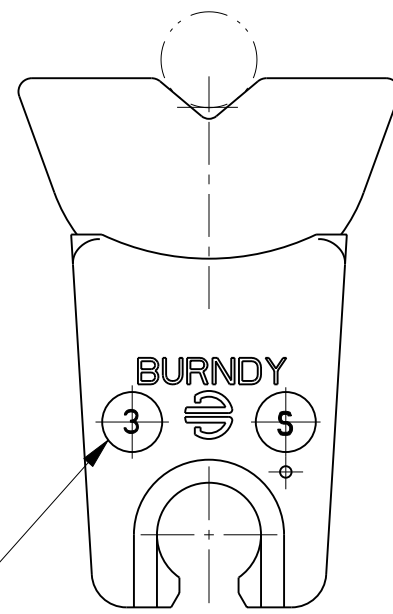
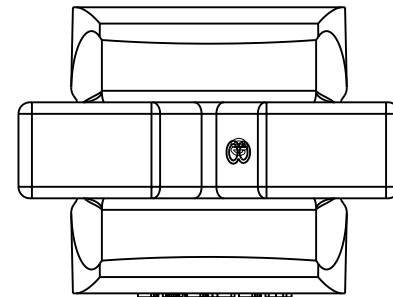


REV.	DATE	DESCRIPTION	ECO	BY	C'H'K.
B	03/17/2015 00:00:00 AM	UPDATED AS PER MARKUP	38811	MG	RM



NOTES:

1. DIMENSIONS IN BRACKETS [ ] ARE IN MILLIMETERS ROUNDED OFF TO THE NEAREST MILLIMETER, UNLESS OTHERWISE NOTED, AND ARE FOR REFERENCE ONLY.
2. MATERIAL: STAINLESS STEEL
3. CATALOG NUMBER CONSIST OF TWO DIE HALVES.

TO ORDER BURNDY® PRODUCTS CALL		W-DIES	
UNITED STATES:		ITEM NO: 464323	3
1-800-346-4175 (LONDONDERRY, NH)		CAT. NO: W4CVT	
CANADA:		DRAWN BY: M. RAJASEKAR 06/04/09	
1-800-361-6975 (QUEBEC)		CHECKER: R. RICK 06/11/09	
1-800-387-6487 (ALL OTHER PROVINCES)		DSN APPVL: A. JOHN 06/11/09	
FOR PRODUCT INFO: <a href="http://www.burndy.com">http://www.burndy.com</a>		MFG APPVL: H. SHANE 06/16/09	
		QA APPVL: --	
		MKT APPVL: P. ROBERT 06/11/09	
		PROD FAM: TOOLS_MECHANICAL	
		PROJECT #: --	SCALE: 2:1
		DOCUMENT TYPE: Sales	DRAWING NO
		REL LEVEL: Released	10102366
			B
			SHEET 1 OF 1

REV: PE0200