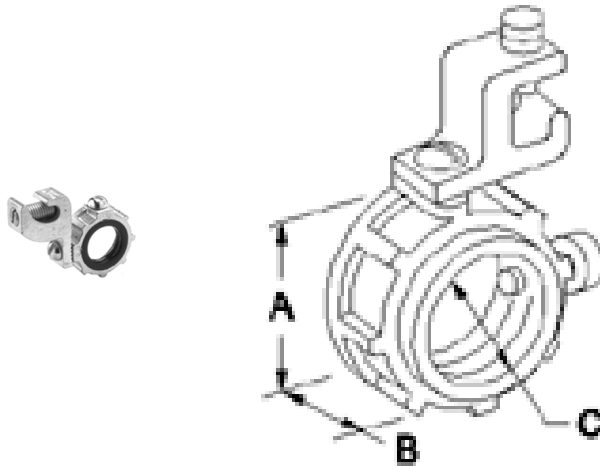


Malleable

Images



[Download Photo Image](#)

[Download Dimensional Image](#)

Dimension A in Inches: 7-3/16

Dimension B in Inches: 1-1/8

Dimension C in Inches: 5-13/16

Application

Used with locknut to terminate service conduit to cabinet. Lug provided for bonding jumper to neutral busbar. Grounding lug: aluminum alloy 6061-T6. Plastic metaliner prevents damage to wire insulation. 1/2" thru 4" rated 150 degree C, 5" and 6" rated 105 degree C.

Product Information

Material: Malleable Iron
Finish: Zinc electro-plate. Grounding lug: Tin electro-plate

Certifications & Codes:

Federal Specification Number:	A-A-50553
NEMA Standard:	FB-1
UL File Number:	E20412
UL Standard:	UL-514B
UNSPSC:	39121312

Catalog ID: 392

UPC Number: 781747003928

Description: Bushing, Insulated, Grounding, Malleable Iron, Size 6 Inch

Application: Used with locknut to terminate service conduit to cabinet. Lug provided for bonding jumper to neutral busbar. Grounding lug: aluminum alloy 6061-T6. Plastic metaliner prevents damage to wire insulation. 1/2" thru 4" rated 150 degree C, 5" and 6" rated 105 degree C.

Trade Size: 6"

Std Pkg Qty: 5

Unit Qty: Bulk