

Commander® Double Strobe Hazardous Location Warning Light



Model 371DST

DESIGNED FOR USE IN HAZARDOUS LOCATIONS

- Available in 12-24VDC, 120VAC and 240VAC
- Five dome colors
- Surface mount and integrated 1-inch NPT pipe mount
- Type 4X, IP66 enclosure
- UL and cUL Listed and CSA Certified
- Class I Division 2, Groups A, B, C, D
Class II Division 2, Groups F, G
Class III

Federal Signal Model 371DST is a double-flash strobe housed in a Type 4X enclosure. At 80 flashes per minute and 1,000 effective candela, the Commander® is the largest strobe signal in the Federal Signal product line.

The 371DST features an impact resistant polycarbonate dome available in five colors: Amber, Blue, Clear, Green and Red. The dome and ring assembly simply screws on, allowing for quick access to the strobe tube and printed circuit board assembly.

The new base of the Commander features electrostatically applied, black epoxy paint for greater corrosion resistance. Wiring can be routed through the pipe mount opening in the bottom of the light or the side knockouts can be used for side entry wiring. Installation can be surface- or 1-inch NPT pipe mount. Optional wall and corner mount brackets are available for the 371DST. The Commander is rated Type 4X, IP66 (water-tight, dust-tight, corrosion-resistant).

The 371DST is rated for Hazardous Location, Class I Division 2, Groups A,B,C, and D, Class II Division 2, Groups F and G; and Class III. The LWMB2 wall mount bracket and the LCMB2 corner mount bracket can be used for all non-hazardous environments. This strobe is also UL and cUL Listed and CSA Certified.

Model	Voltage	Operating Current	Flash Rate/ Minute	Candela Peak ¹	ECP ²	Mount
371DST-012-024 *	12-24 VDC	3.00-1.90 amps	80 ³	750,000	1,000	1" NPT Pipe or Surface
371DST-120 *	120VAC 50/60Hz	0.60 amps	80 ³	750,000	1,000	1" NPT Pipe or Surface
371DST-240 *	240VAC 50/60Hz	0.30 amps	80 ³	750,000	1,000	1" NPT Pipe or Surface

Hazardous Location Rating:

T-Code at Maximum Ambient Temperature, °C

Hazardous Location	40°C
Class I, Div 2, Groups A, B, C, D	T2/300°
Class II, Div 2, Groups F, G	T6/85°
Class III	T6/85°

* Indicates color:
(A) Amber, (B) Blue, (C) Clear, (G) Green or (R) Red

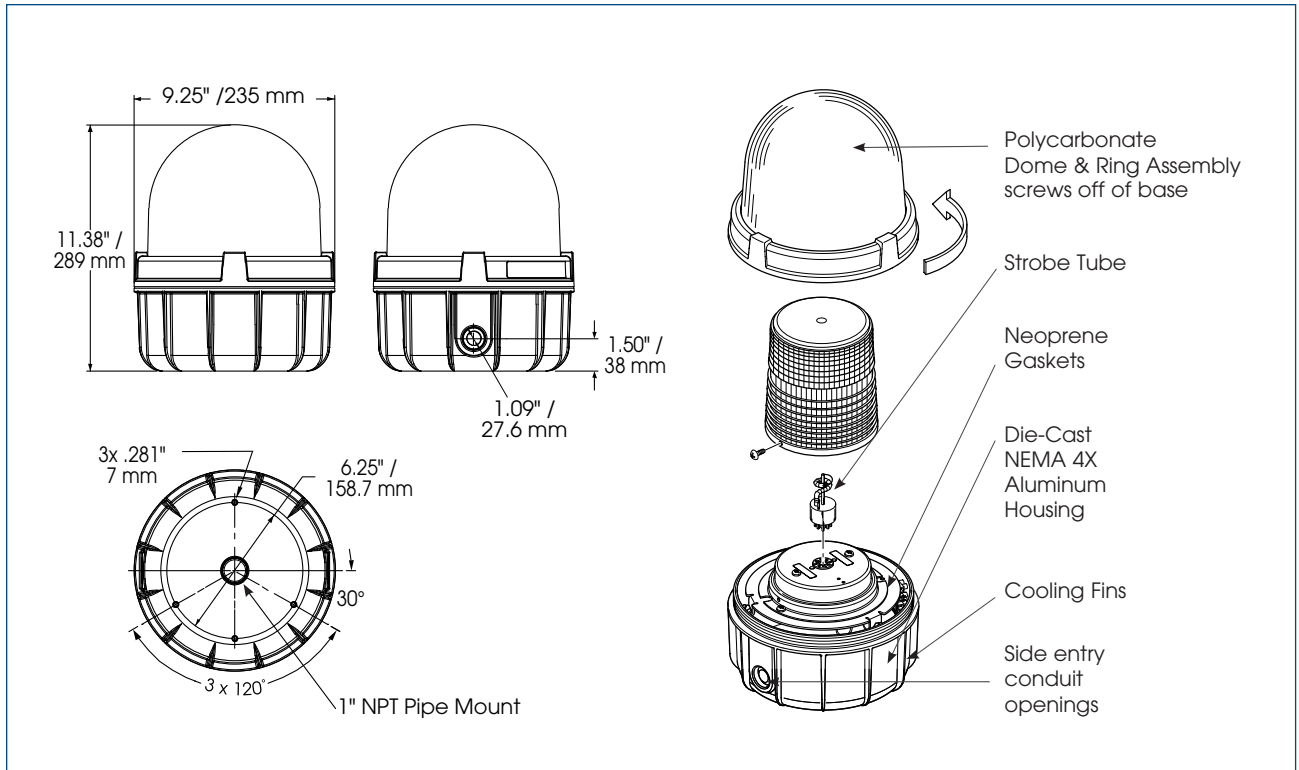
¹ Peak candela is the maximum light intensity generated by a flashing light during its light pulse

² ECP (Effective Candela) is the intensity that would appear to an observer if the light were burning steadily

³ Double flash



COMMANDER® STROBE LIGHT (371DST)



SPECIFICATIONS

Lamp Life:	10,000 Hours	10,000 Hours
Light Source:	Strobe tube	Strobe tube
Operating Temperature:	-31°F to 104°F	-35°C to 40°C
Net Weight:	6.23 lbs.	2.83 kg
Ship. Weight:	8.3 lbs.	3.76 kg
Height:	11.38"	288.9 mm
Diameter:	9.13"	231.8 mm

HOW TO ORDER

- Specify model, voltage and color
- Optional Accessories:
 - Solid Surface Mounting Bracket (371BRCKT)
 - Shock Mount Kit (K8459A076C)
 - Hazardous Location Mounting Bracket (LHWB)
 - 3/4" Hub Kit (K8459138A)
 - 1" Plug Kit (K8459130A)

REPLACEMENT PARTS

<u>Description</u>	<u>Part Number</u>	<u>Description</u>	<u>Part Number</u>
Series B Dome and Ring Assembly		PCB Assembly 12-24VDC	K2001265D-01
Amber Polycarbonate	K8459125A	PCB Assembly 120VAC	K200865G-02
Blue Polycarbonate	K8459125A-01	PCB Assembly 240VAC	K200865G-03
Clear Polycarbonate	K8459125A-02	Strobe Tube	K8107178A
Green Polycarbonate	K8459125A-03	Gasket, Surface Mount	K8459127A
Red Polycarbonate	K8459125A-04		
Clear, Inner Polycarbonate, Lens	K8422B428A		