

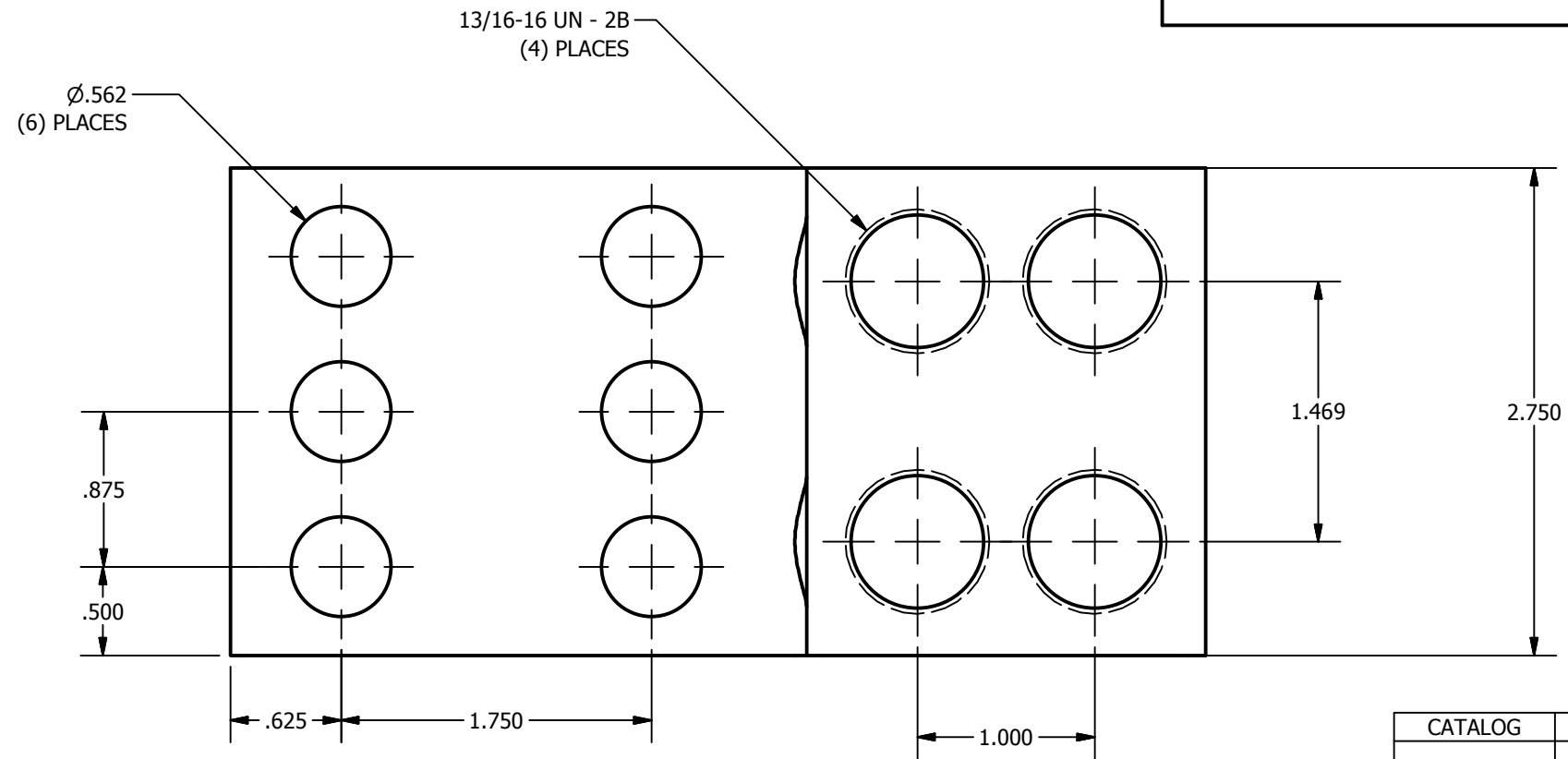
SCREW: SEE CHART
 CAT. NO.: SEE CHART
 INFORMATION SHEET: SEE CHART

MATERIAL: ALUMINUM
 PLATING: SEE CHART
 MARKING: SEE CHART

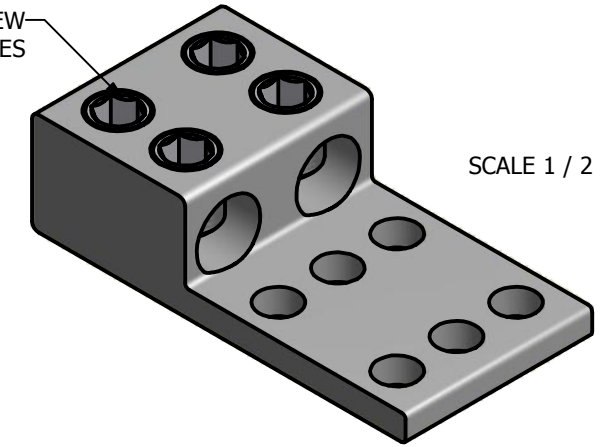
REV: H
 DRAWN BY: CLH
 DATE: 5/14/2007
 SCALE: 1:1
 SIZE: B



DWG NO: **D3861**
 SHEET: 1 OF 1



SEE CHART FOR SCREW
 (4) PLACES



CATALOG	FORM	MARKING	PLATING	SCREW
AU-600-2N	FORM 1	ILSCO, AU-600-2N, 600kcmil-2, AL9CU	EL-TIN	E1027
USG2-500C42 USG2-600C42	FORM 18	UTILCO, USG2-500C42, USG2-600C42, 600kcmil-2 AL-CU	WAX	E6131

