

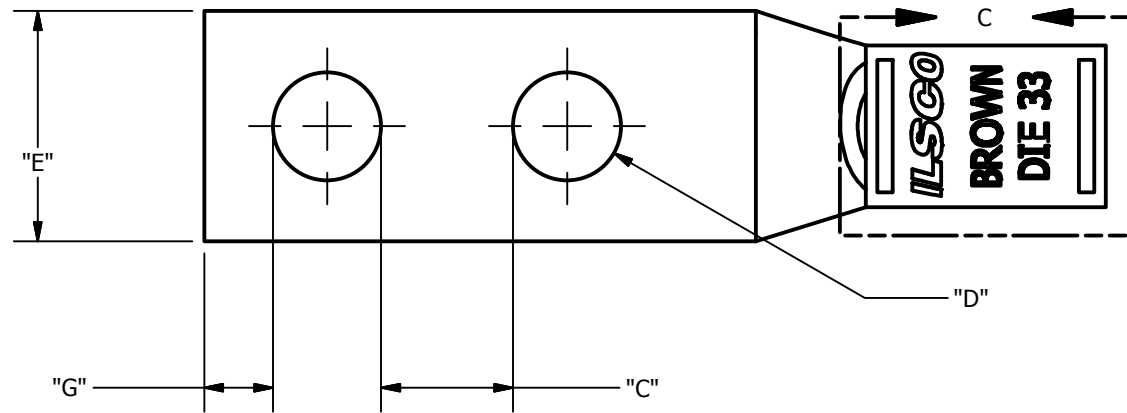
SCREW: NONE
 CAT. NO.: SEE CHART
 INFORMATION SHEET: FORM 157

MATERIAL: COPPER
 PLATING: EL-TIN
 MARKING: SEE CHART

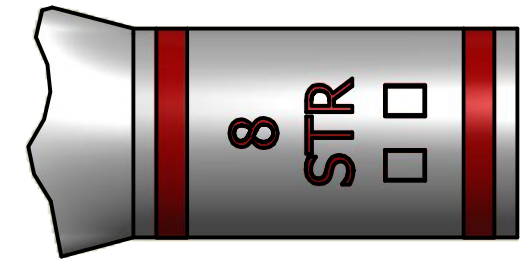
REV: I
 DRAWN BY: DW SCALE: NTS
 DATE: 7/19/2007 SIZE: B

ILSCO
 connections
 matter
 800-776-9775 www.ilSCO.com

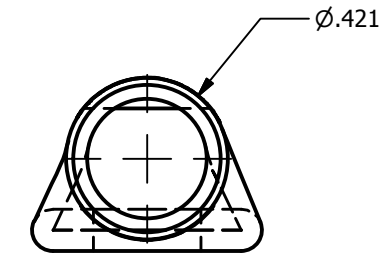
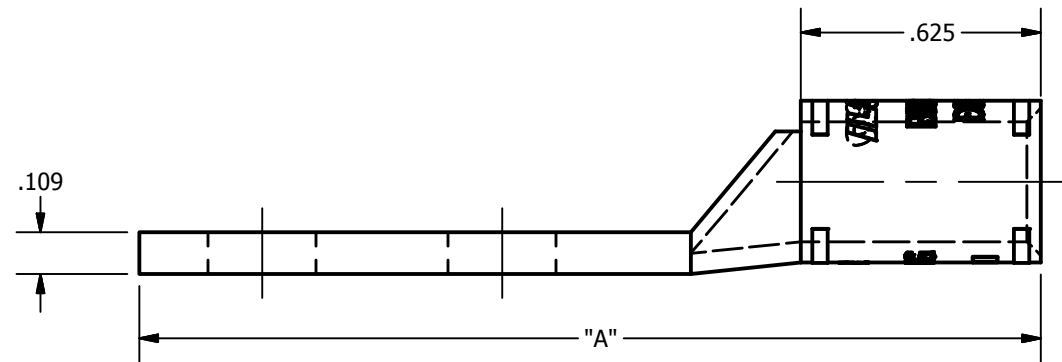
DWG NO: **Y0511-D**
 SHEET: 1 OF 1



DETAIL C
 TOP INK MARKING



DETAIL D
 BOTTOM INK MARKING



CATALOG NUMBER	"A"	"C"	"D"	"E"	"G"	TANG MARKING
CSWD-2-10-12	2.161	0.281	0.219	0.599	0.148	
CSWD-2-10-58	2.161	0.406	0.219	0.599	0.148	ILSCO, CSWD-2-10-58, 10 X 5/8, 2 AWG, DIE 33, UL, CSA
CSWD-2-10-1116	2.161	0.468	0.219	0.599	0.148	
CSWD-2-10-34	2.348	0.531	0.219	0.599	0.148	ILSCO, CSWD-2-10-34, 10 X 3/4, 2 AWG, DIE 33, UL, CSA
CSWD-2-10-1	2.598	0.781	0.219	0.599	0.148	
CSWD-2-14-12	2.161	0.219	0.281	0.599	0.180	
CSWD-2-14-58	2.348	0.344	0.281	0.599	0.180	ILSCO, CSWD-2-14-58, 1/4 X 5/8, 2 AWG, DIE 33, UL, CSA OR ALTERNATE MARKING ILSCO, C-2-14-58, 1/4 X 5/8, 2 AWG, DIE 33, UL, CSA
CSWD-2-14-34	2.348	0.469	0.281	0.599	0.180	ILSCO, CSWD-2-14-34, 1/4 X 3/4, 2 AWG, DIE 33, UL, CSA
CSWD-2-14-1	2.598	0.719	0.281	0.599	0.180	ILSCO, C-2-14-1, 1/4 X 1, 2 AWG, DIE 33, UL, CSA
CSWD-2-516-58	2.348	0.282	0.343	0.599	0.180	ILSCO, C-2-516-58, 5/16 X 5/8, 2 AWG, DIE 33, UL, CSA
CSWD-2-516-34	2.598	0.407	0.343	0.599	0.180	ILSCO, C-2-516-34, 5/8 X 3/4, 2 AWG, DIE 33, UL, CSA
CSWD-2-516-78	2.598	0.532	0.343	0.599	0.180	
CSWD-2-516-1	2.848	0.657	0.343	0.599	0.180	ILSCO, C-2-516-1, 5/16 X 1, 2 AWG, DIE 33, UL, CSA
CSWD-2-516-134	3.411	1.407	0.343	0.599	0.180	
CSWD-2-38-34	2.598	0.344	0.406	0.599	0.211	ILSCO, C-2-38-34, 3/8 X 3/4, 2 AWG, DIE 33, UL, CSA
CSWD-2-38-78	2.848	0.469	0.406	0.599	0.211	ILSCO, C-2-38-78, 3/8 X 7/8, 2 AWG, DIE 33, UL, CSA
CSWD-2-38-1	2.848	0.594	0.406	0.599	0.211	ILSCO, CSWD-2-38-1, 3/8 X 1, 2 AWG, DIE 33, UL, CSA
CSWD-2-38-116	2.848	0.656	0.406	0.599	0.211	
CSWD-2-38-118	3.036	0.719	0.406	0.599	0.211	
CSWD-2-38-134	3.536	1.344	0.406	0.599	0.211	ILSCO, CSWD-2-38-134, 3/8 X 1-3/4, DIE 33, 2 AWG, UL, CSA
CSWD-2-38-2	3.911	1.594	0.406	0.599	0.211	
CSWD-2-12-1	3.036	0.438	0.562	.744	0.265	
CSWD-2-12-114	3.411	0.688	0.562	.744	0.265	
CSWD-2-12-112	3.536	0.938	0.562	.744	0.265	
CSWD-2-12-134	3.911	1.188	0.562	.744	0.265	ILSCO, CSWD-2-12-134, 1/2 X 1-3/4, 2 AWG, DIE 33, UL, CSA
CSWD-2-12-178	3.911	1.313	0.562	.744	0.265	