
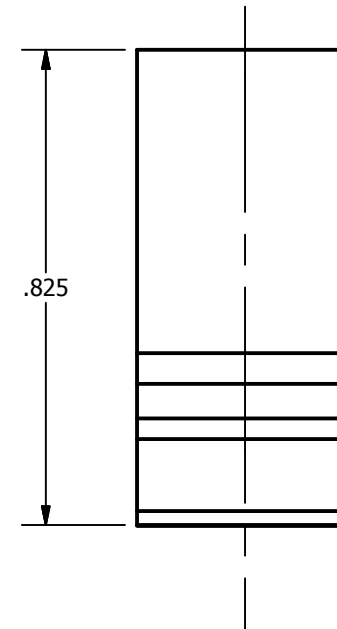
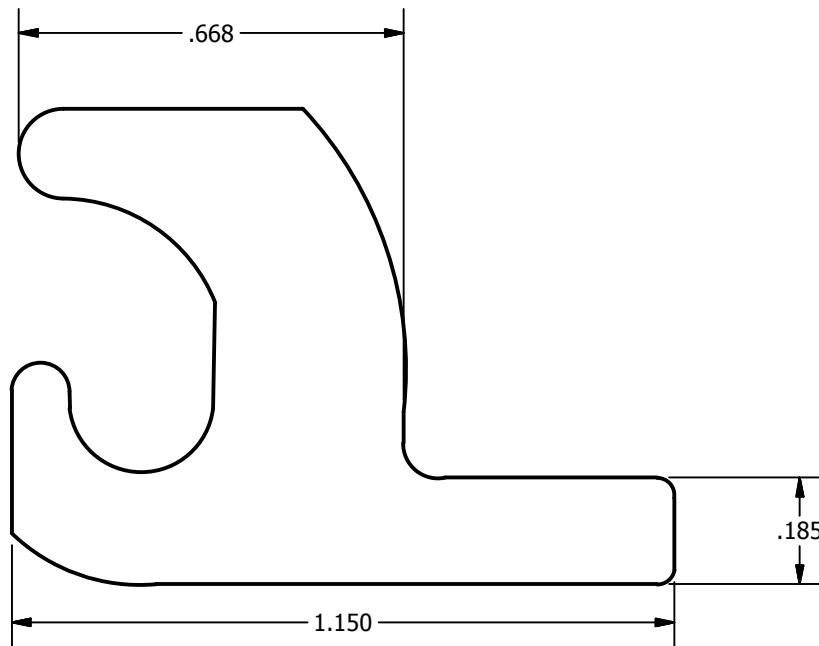
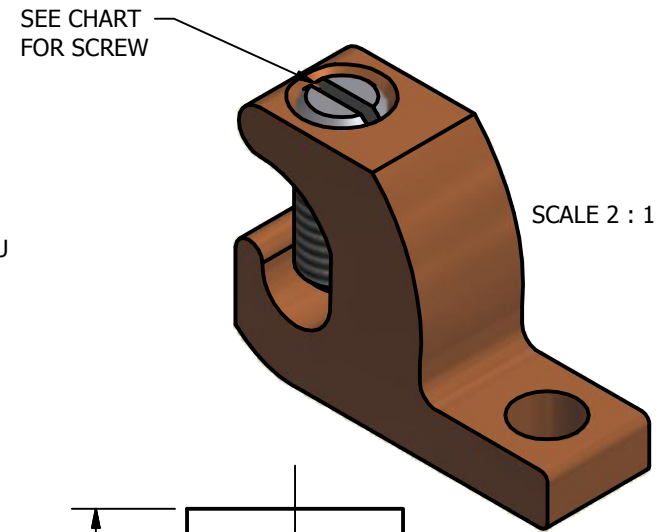
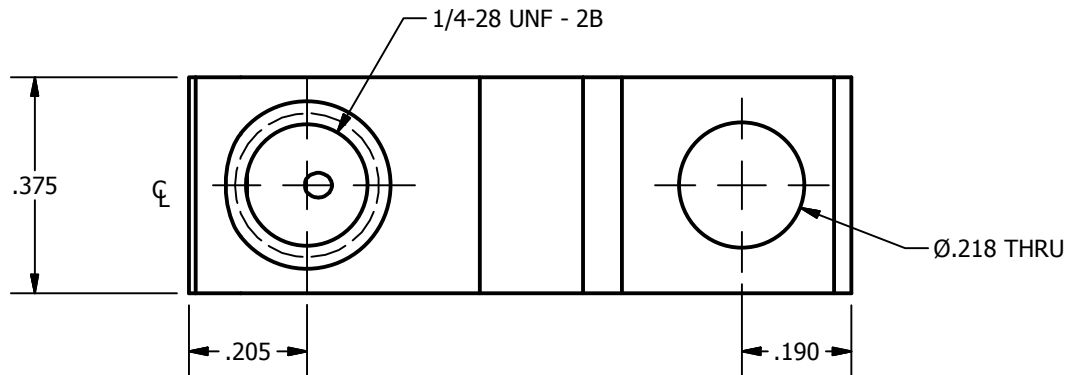


SCREW: SEE CHART	MATERIAL: COPPER	REV: AB		
CAT. NO.: SEE CHART	PLATING: SEE CHART	DRAWN BY: CLH	SCALE:3:1	800-776-9775 www.ilsco.com
INFORMATION SHEET: SEE CHART	MARKING: SEE CHART	DATE:7/27/2007	SIZE: A	DWG. NO. <b>G0977</b>
				SHEET: 1 OF 1



CAT #	PLATING	SCREW	FORM	SCREW ASSY	MARKING
GBL-4DBT	EL-TIN	E1276C00H	FORM12, FORM 195	FLUSH TO TOP	① GBL-4DBT, 4-14, CU, DB ④ ⑤
GBL-4DB	BRIGHT DIP	E1276C00H	FORM 12	FLUSH TO TOP	① GBL-4DB, 4-14, CU, DB ④ ⑤
GBL-4DBTH	EL-TIN	E1469C00H	FORM 12, FORM 195	SNUG TO BOTTOM	① GBL-4DBT, 4-14, CU DB ④ ⑤