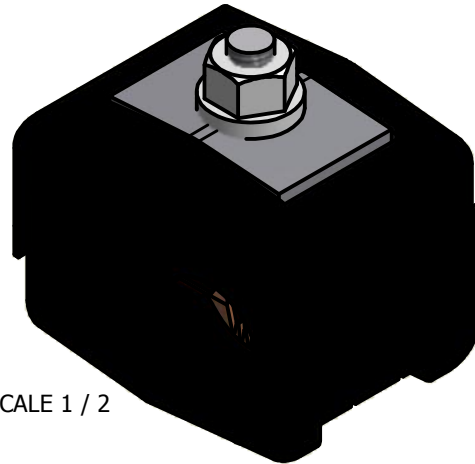


SCREW: SEE CHART	MATERIAL: NONE	REV: I	ILSCO connections matter	
CAT. NO.: IPC-750-500, IPC-750-500-B	PLATING: NONE	DRAWN BY: CLH	SCALE:1:1	800-776-9775 www.ilsco.com
INFORMATION SHEET: FORM 73	MARKING: NONE	DATE:8/15/2007	SIZE: A	DWG. NO. K0428
				SHEET: 1 OF 1



SCALE 1 / 2

130007 IPC-750-500 K0428W00T		
COMPONENT PART NUMBER	DESCRIPTION	QTY
130080	MOLDED BODY (TOP AND BOTTOM)	1
130147	TOP PLATE	1
130158	TEETH	8
130149	BOTTOM PLATE	1
100157	RUN LABEL	1
100158	TAP LABEL	1
130138	1/2-13 STUD	1
130139	1/2-13 NUT	2
130153	CAP	2
100154	BOX	1
130274	BELVILLE WASHER	1