
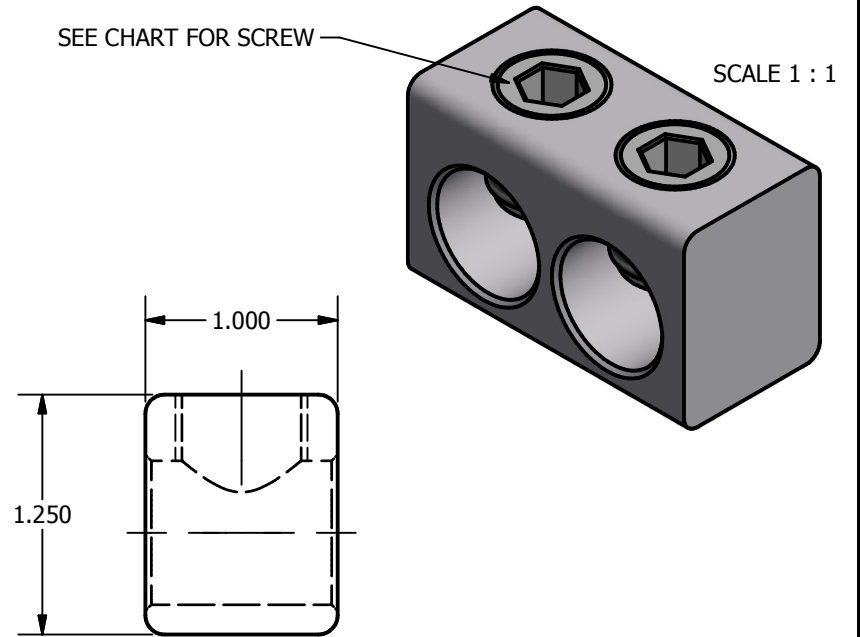
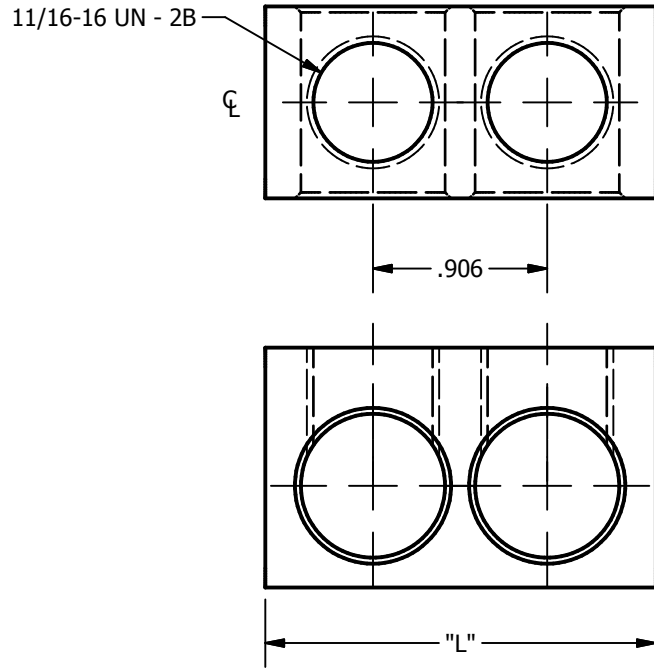


SCREW: SEE CHART	MATERIAL: ALUMINUM, X1428	REV: AR		
CAT. NO.: SEE CHART	PLATING: SEE CHART	DRAWN BY: CLH	SCALE: 1:1	800-776-9775 www.ilsco.com
INFORMATION SHEET: FORM 18	MARKING: UTILCO, PED-350, 350kcmil-10, AL-CU	DATE: 9/18/2007	SIZE: A	DWG. NO. N7864
				SHEET: 1 OF 1



CATALOG NUMBER	"L"	OUTLETS	SCREW	PLATING
PED2-350	2.031 IN	2	E1411C00T	WAX
PED2-350DAP	2.031 IN	2	E6096C00V	WAX
PED3-350	2.937 IN	3	E1411C00T	WAX
PED3-350D	2.937 IN	3	E6096C00T	WAX
PED4-350	3.843 IN	4	E1411C00T	WAX
PED4-350DP	3.843 IN	4	E6096C00T	WAX
PED4-350AP	3.843 IN	4	E1411C00V	WAX
PED4-350DAP	3.843 IN	4	E6096C00V	WAX
PED5-350	4.750 IN	5	E1411C00T	WAX
PED6-350	5.655 IN	6	E1411C00T	WAX
PED6-350D	5.655 IN	6	E6096C00T	WAX
PED6-350A	5.655 IN	6	E1411C00V	WAX
PED6-350DAP	5.655 IN	6	E6096C00V	WAX
PED8-350	7.467 IN	8	E1411C00T	WAX
PED8-350DAP	7.467 IN	8	E6096C00V	WAX
PED6-350KCJTP	5.655 IN	6	E1411C00T	EL-TIN