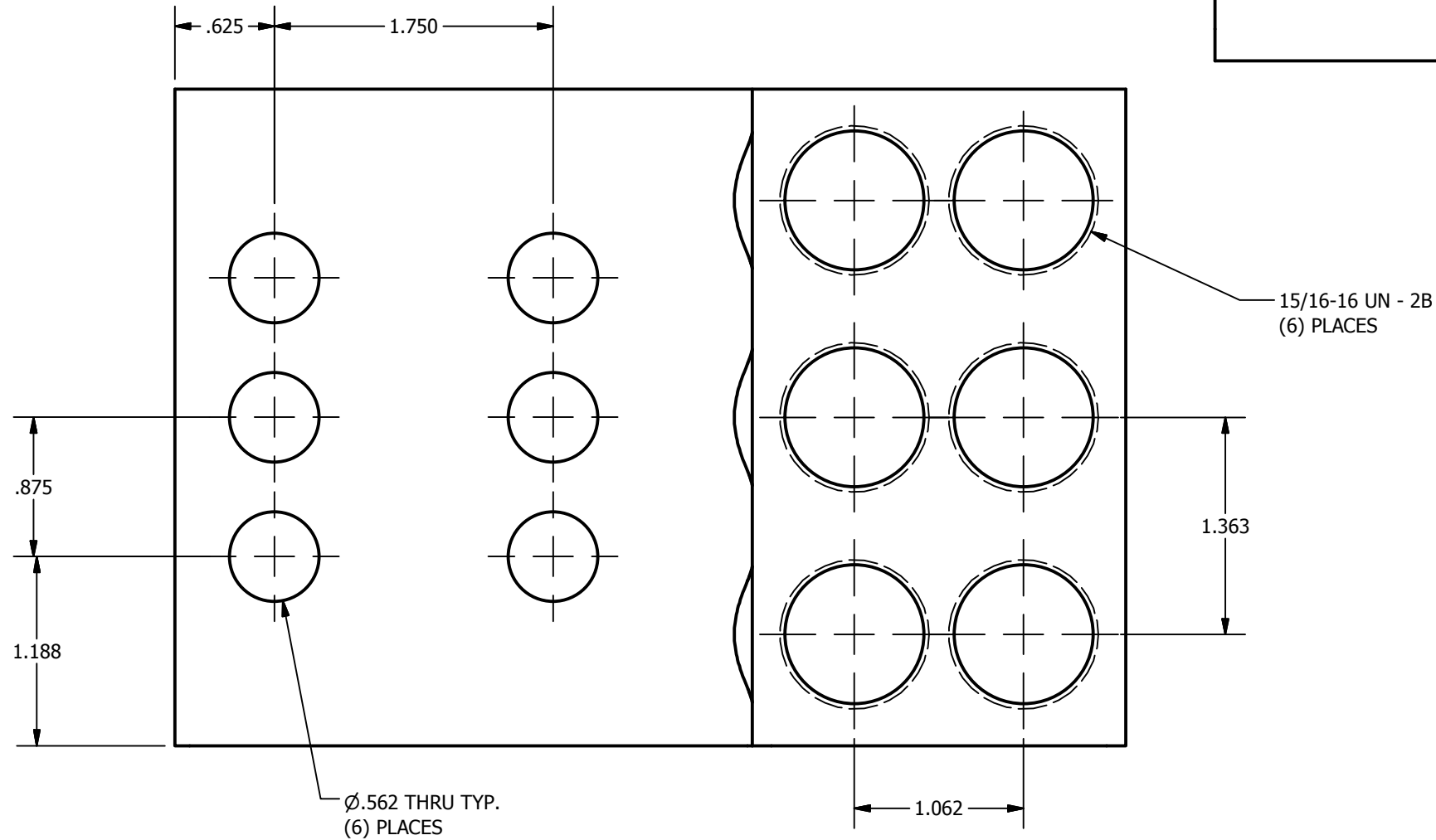
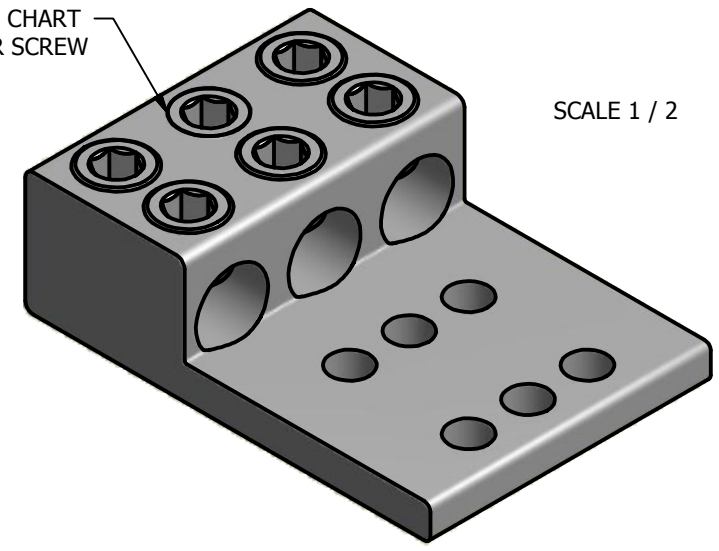

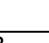


SCREW: SEE CHART	MATERIAL: ALUMINUM	REV: G
CAT. NO.: SEE CHART	PLATING: EL-TIN/WAX	DRAWN BY: CLH SCALE: 1:1
INFORMATION SHEET: SEE CHART	MARKING: SEE CHART	DATE: 5/11/2007 SIZE: B



SEE CHART FOR SCREW



CATALOG NO.	FORM	PLATING	SCREW	MARKING
T3A2-800N T3A4-800N	FORM 1	EL-TIN	E0945	ILSCO, T3A2-800N, T3A4-800N, 800-300kcmil, AL9CU  
USG2-750C43	FORM 18	WAX	E6134	UTILCO, USG2-750C43, 750kcmil-1/0, AL-CU

