
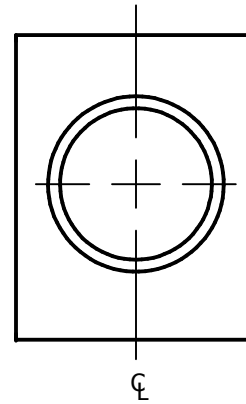
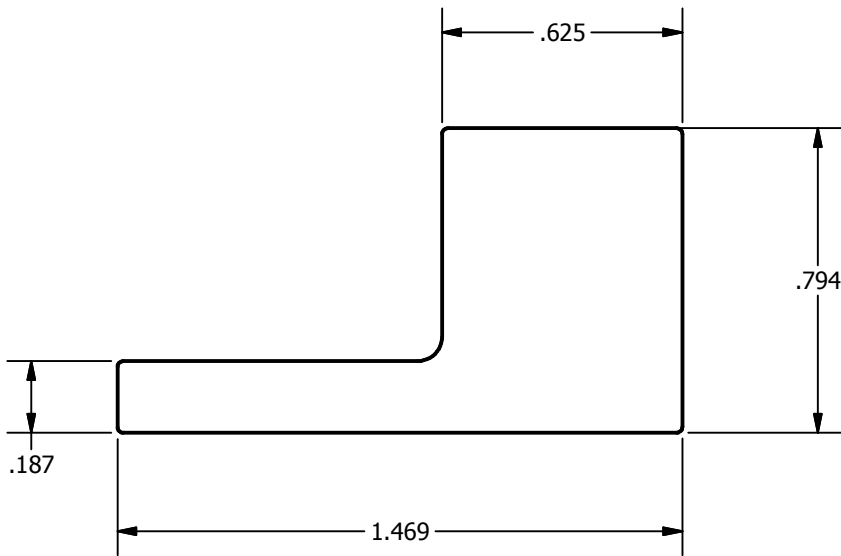
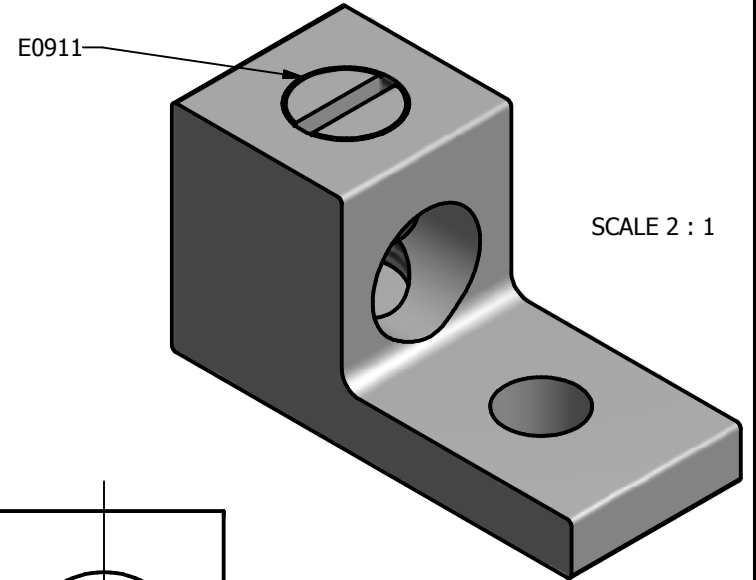
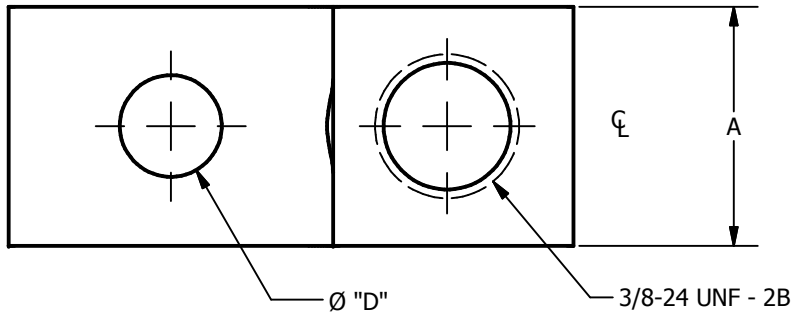


SCREW: E0911	MATERIAL: ALUMINUM	REV: K		
CAT. NO.: TA-0	PLATING: EL-TIN	DRAWN BY: NN	SCALE: 2:1	800-776-9775 www.ilsco.com
INFORMATION SHEET: FORM 1	MARKING: SEE CHART	DATE: 12/4/2007	SIZE: A	DWG. NO. D0830
				SHEET: 1 OF 1



DEV	MOUNTING HOLE "D"	MARKING	A
-10	.265	BKB, ADR11, AL9CU, 1/0-14. 	.625
-22	.265	ILSCO, TA-0, 1/0-14, AL9CU 	.625
-24	.198	ILSCO, TA-0, 1/0-14,AL9CU 	.623
-25	.265	ILSCO, TA-0, 1/0-14, AL9CU 	.623
-26	.406	ILSCO, TA-0, 1/0-14, AL9CU 	.623
-46	.406	ILSCO, TA-0, 1/0-14, AL9CU 	.623
-48	.328	ILSCO, TA-0, 1/0-14, AL9CU 	.623