
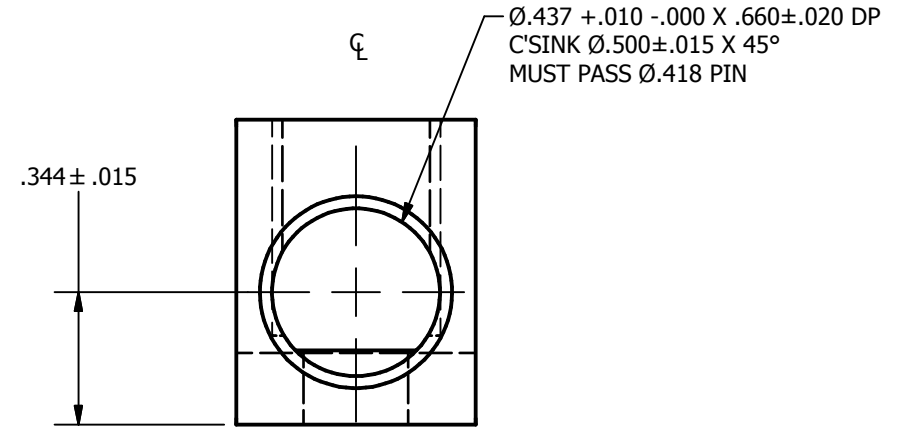
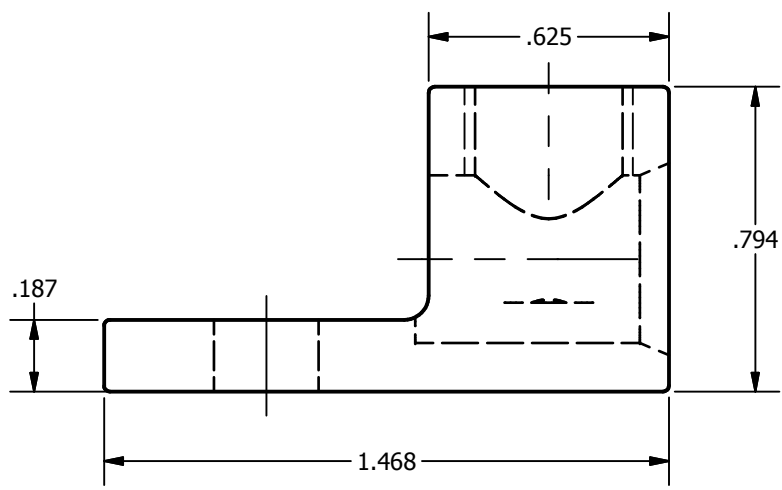
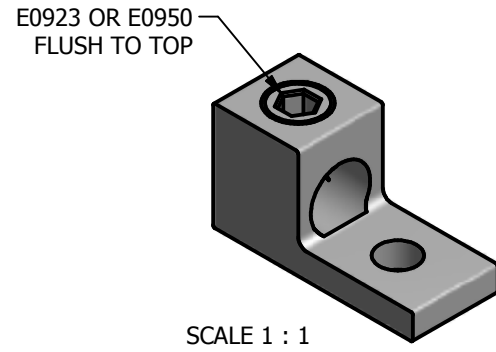
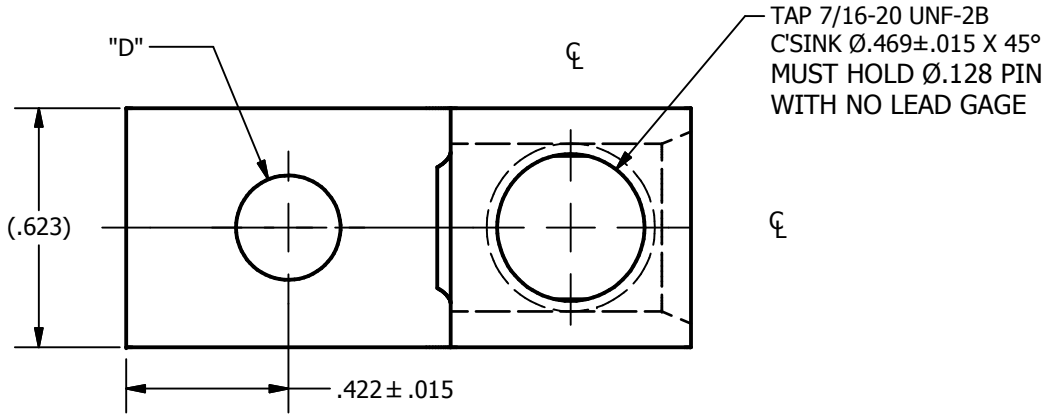
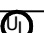



SCREW: SEE CHART	MATERIAL:ALUMINUM, X0031	TOLERANCES-UNLESS OTHERWISE SPECIFIED 2 PL. DEC. ±.010 TRUE C.L. ±.012 3 PL. DEC. ±.007 ANGLES ±1		DWG. NO. D1234	
CAT. NO.:TA-2/0	PLATING: EL-TIN	DRAWN BY: NN	SCALE: 1:1	SHEET 1 OF 1	
MASS:SEE CHART	MARKING: SEE CHART	DATE:12/7/2007	SIZE: A		
SURFACE AREA: SEE CHART ²		CELL:ABM	REV.	DESCRIPTION	
STUFFER SHT: FORM 1		F			

Cat #: TA-2/0 TA-2/0-B2



DEV.	"D"	SCREW	MARKING	MASS LBS.	SURFACE IN ²
C25T	.272	E0950	ILSCO, TA-2/0, 2/0-14, AL9CU,  , 	.0266	4.7785