
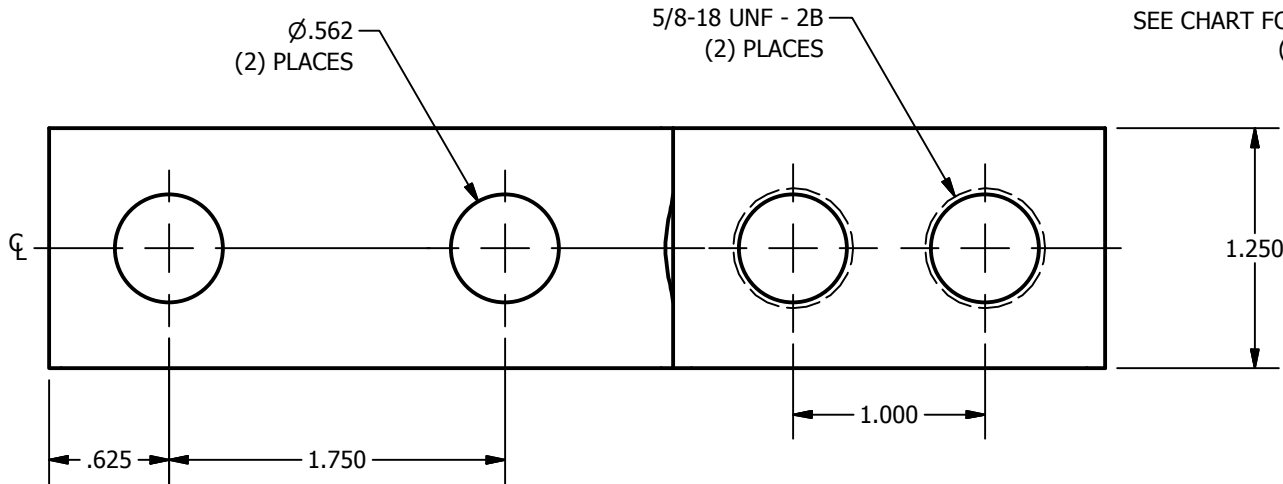
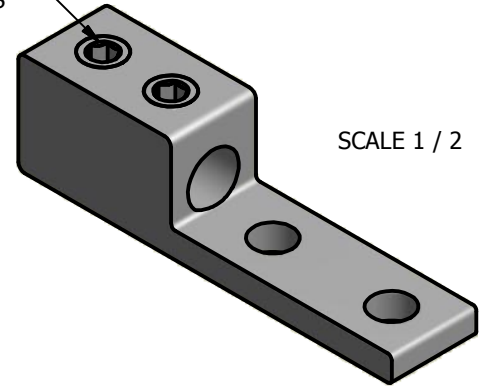



SCREW: SEE CHART	MATERIAL: ALUMINUM	REV: G	 800-776-9775 www.ilsco.com
CAT. NO.: SEE CHART	PLATING: EL-TIN/WAX	DRAWN BY: CLH SCALE:1:1	
INFORMATION SHEET: SEE CHART	MARKING: 350kcmil-6, AL-CU	DATE:5/14/2007 SIZE: A	
		DWG. NO. D3872	
		SHEET: 1 OF 1	



SEE CHART FOR SCREW,
(2) PLACES



CATALOG NO.	FORM	MARKING	PLATING	SCREW
TA-350-2N	FORM 1	ILSCO, TA-350-2N, 350kcmil-6, AL9CU 	EL-TIN	E0949
USG2-350	FORM 18	UTILCO, USG2-350, 350kcmil-6, AL-CU	WAX	E6132
USG2-350T	FORM 18	UTILCO, USG2-350T, 350kcmil-6, AL-CU	EL-TIN	E6132

