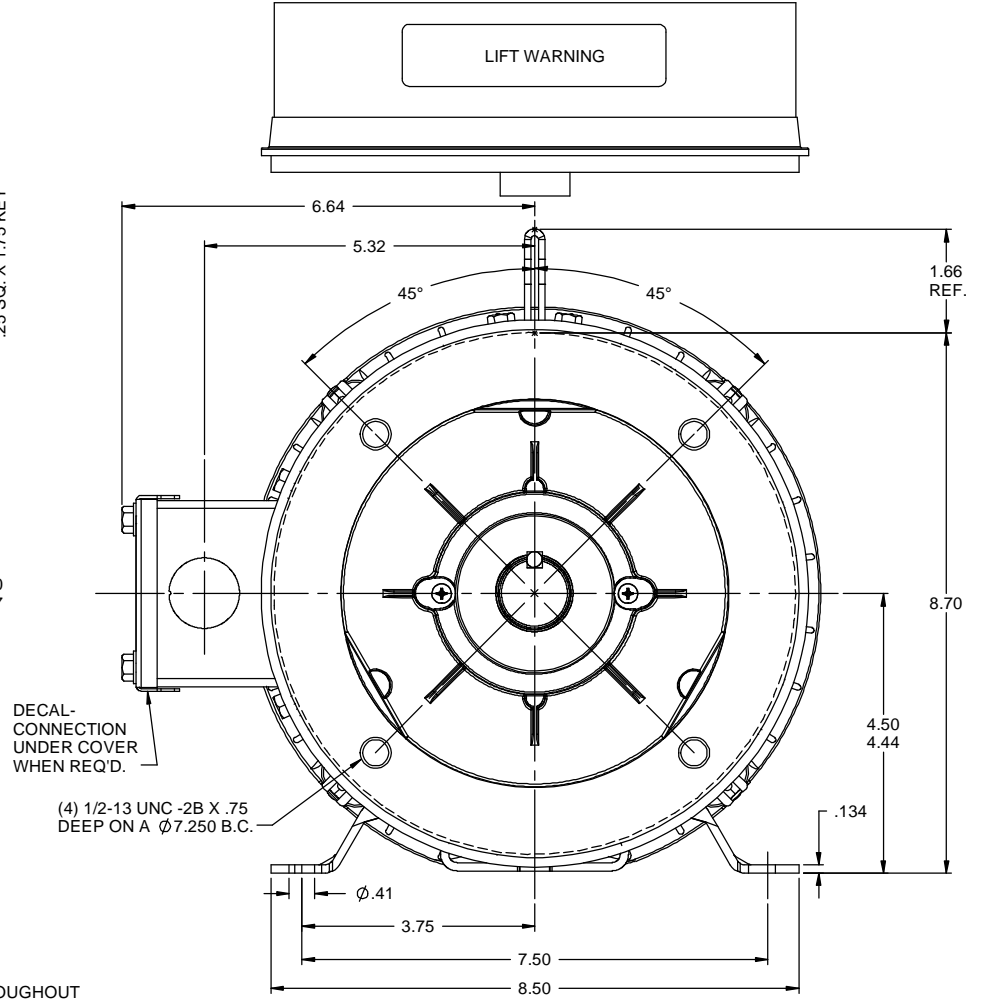
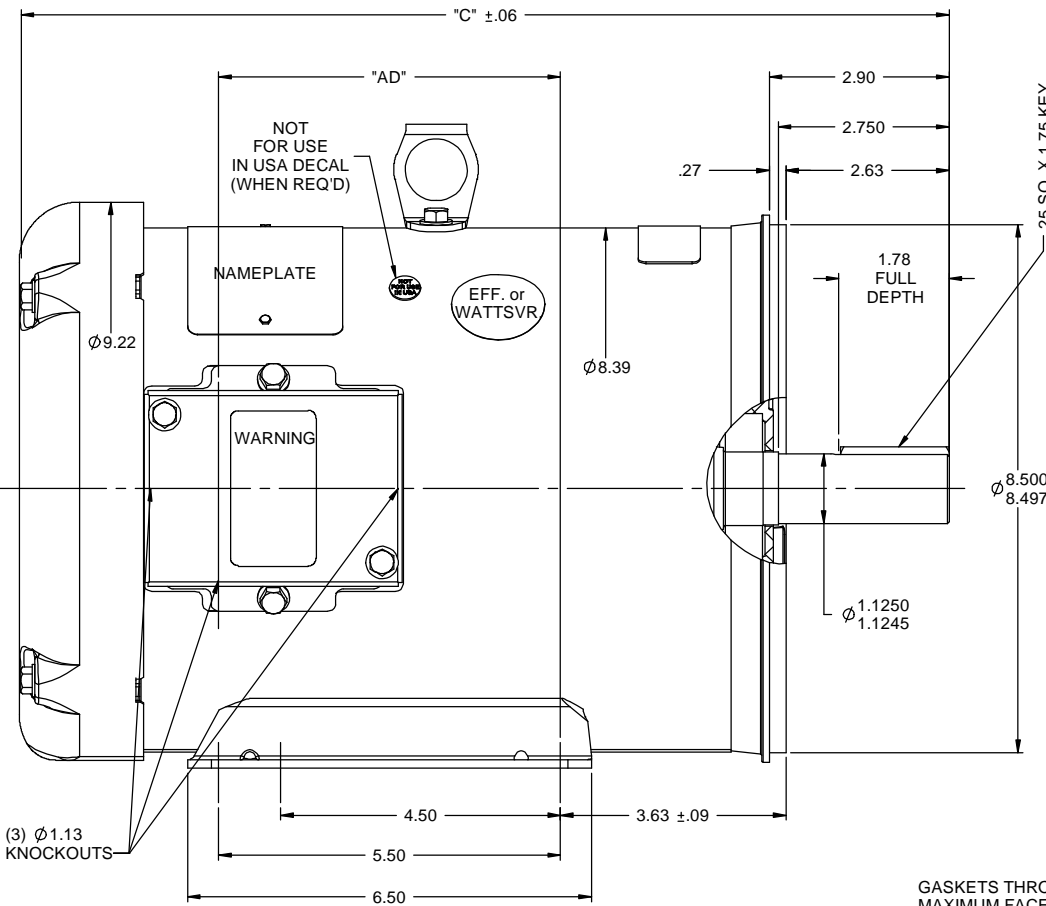


RBC PROPRIETARY AND CONFIDENTIAL INFORMATION
 This document is the property of REGAL BELOIT CORPORATION ("RBC") including its subsidiaries and divisions and contains proprietary information of RBC. This document is loaned on the express condition that neither it nor the information contained therein shall be disclosed to others without the express written consent of RBC, and that the information shall be used by the recipient only as approved expressly by RBC. This document shall be returned to RBC upon its request. This document may be subject to certain restrictions under U.S. export control laws and regulations.



GASKETS THROUGHOUT
 MAXIMUM FACE RUNOUT TO BE .004 T.I.R.
 MAXIMUM PILOT ECCENTRICITY TO BE .004 T.I.R.
 PERMISSIBLE SHAFT RUNOUT TO BE .002 T.I.R.

DASH NO.	"C"	"AD"
850	13.97	4.50
900	14.47	5.00
950	14.97	5.50
1000	15.47	6.00
1050	15.97	6.50
1100	16.47	7.00
1150	16.97	7.50

		TOLERANCES UNLESS SPECIFIED				DRAWN RDW 1/21/03	
		DEC	INCHES			CHK	
		X	±.1	XX	±.03	TITLE OUTLINE - 180TC FRAME	
		XX	±.005	XXX	±.005	TEFC - RIGID "C"	
1		ADDED DECAL NOT FOR USE IN USA	GR 06/04/12	JD	XXX	MATL	
		UPDATED & REDRAWN IN SOLIDWORKS	LST 12/17/2009	XX	XXXX	REF 035346	
NO		REVISION	BY & DATE	CHK	ANG ±1/2°	FINISH	
		THIRD ANGLE PROJECTION		RFP		PAGE OF	
				NETWORK FILE NAME	PREV	SIZE B	DRAWING NO 035453
							REV 1