

8885



UPC Code: 07847719944

Country of Origin: China

Item Description

Incandescent lampholder, porcelain, medium base, 660W-600V, snap-in, white.

Technical Information

Electrical Specifications

Circuit: Single Circuit

Wattage Rating: 660W

Voltage: 250 Volt

Standards and Certifications

UL Listed: File E3810

CSA Certified: File LR-1863

Material Specifications

Color: White

Clip Material: Rust-Proofed Spring-Tempered Steel

Availability: Distribution

Mechanical Specifications

Access: Back Wired

Product Features

Lamp Socket Base: Medium

Construction: One-Piece

Mounting Type: Front Mount

Circuit: Single Circuit

Access: Back Wired

Termination: 2-Terminal Screws

Feature: Hi-Hat Type

Mounting Type: Mounting Clip

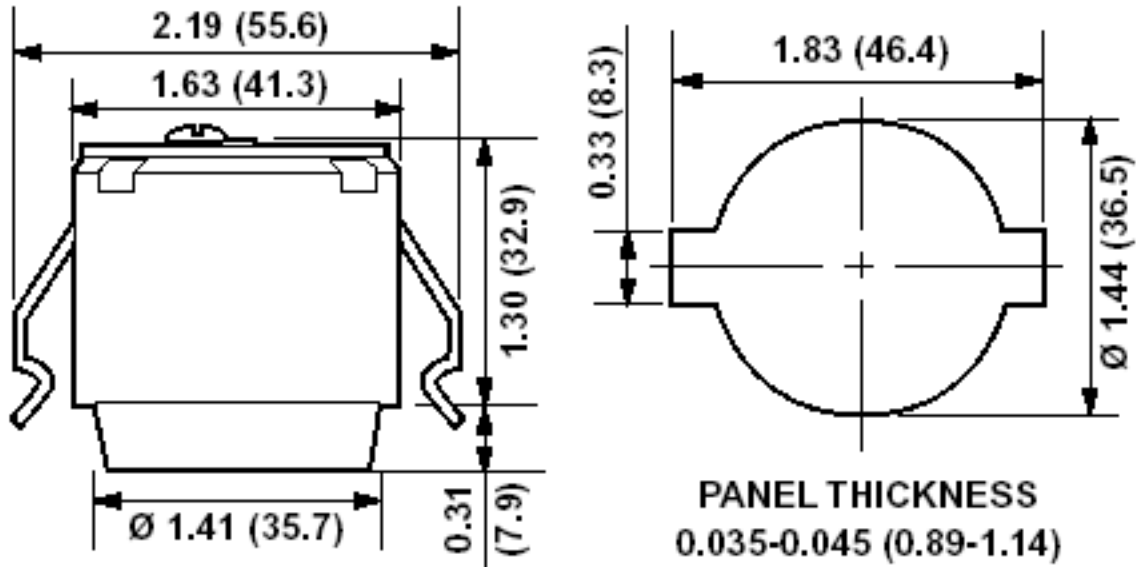
Screw Shell Material: Nickel-Plated Copper Alloy

Body Material: Unglazed Porcelain

Standards and Certifications: UL/CSA

Warranty: 1 Year Limited

Availability: Distribution



SPECIFICATION SUBMITTAL

JOB NAME: <input type="text"/> JOB NUMBER: <input type="text"/>	CATALOG NUMBERS: <input type="text"/>
--	---------------------------------------

Leviton Manufacturing Co., Inc.
 201 North Service Road, Melville, NY 11747
 Telephone: 1-800-323-8920 · FAX: 1-800-832-9538 · Tech Line (8:30AM-7:30PM E.S.T. Monday-Friday): 1-800-824-3005

Leviton Manufacturing of Canada, Ltd.
 165 Hymus Boulevard, Pointe Claire, Quebec H9R 1E9 · Telephone: 1-800-469-7890 ·
 FAX: 1-800-824-3005 · www.leviton.com/canada

Leviton S. de R.L. de C.V.
 Lago Tana 43, Mexico DF, Mexico CP 11290 · Tel.: (+52)55-5082-1040 · FAX: (+52)5386-1797 · www.leviton.com.mx

Visit our Website at: www.leviton.com
 © 2012-2016 Leviton Manufacturing Co., Inc. All rights reserved. Subject to change without notice.



Leviton has a global presence.
 If you would like to know where your local Leviton office is located please go to: www.leviton.com/international/contacts/