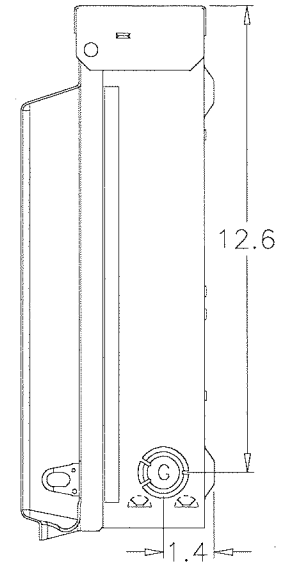
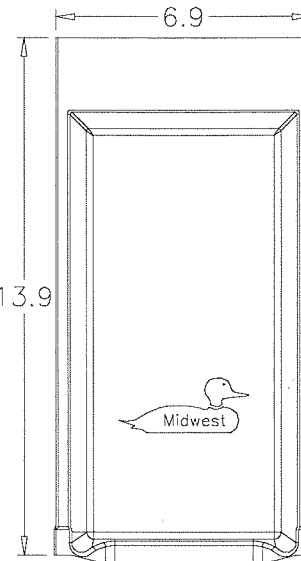
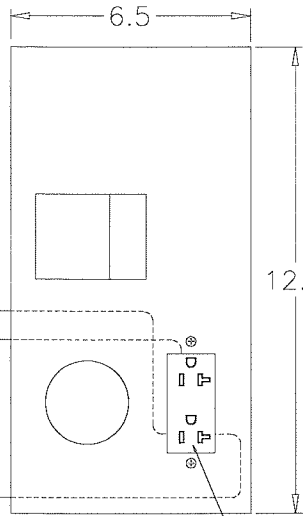
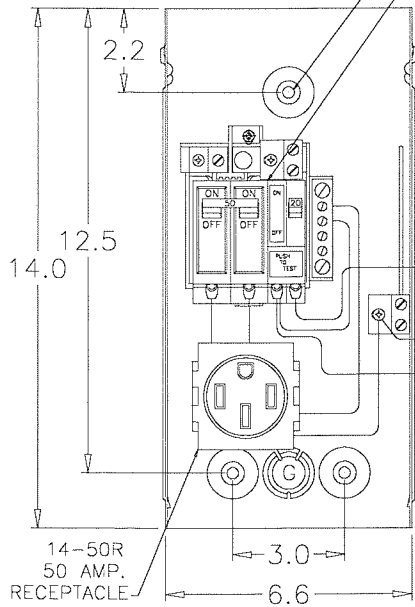
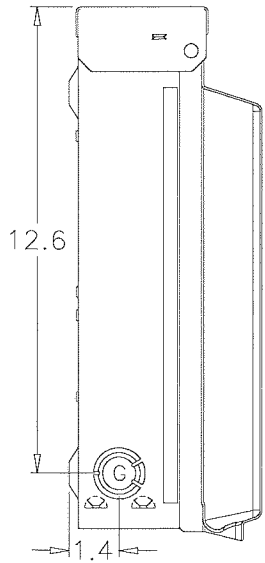


KNOCKOUT TABLE:

S= 1/2", 3/4", 1", 1-1/4", 1-1/2" KO
G= 1/2", 3/4", 1" KO

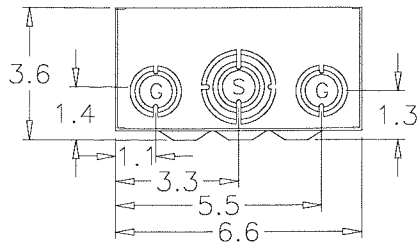
5/16" MOUNTING HOLE (3X)
 3 CIRCUIT 70 AMP LOAD CENTER
 50 AMP. BREAKER 2-POLE
 20 AMP. GFI BREAKER 1-POLE



5-20R2
 20 AMP.
 DUPLEX

WIRE RANGE TABLE :

CONNECTOR	COPPER		ALUMINUM	
	SOLID	STRAND	SOLID	STRAND
LINE	14-8	14-2	12-8	12-2
LOAD	14-10	14-10	---	---
NEUTRAL END HOLE	14-8	14-2	12-8	12-2
NEUTRAL SIDE HOLE	14-8	14-4	12-8	12-4
EQUIP. GRND.	12-8	12-2	12-8	12-2



SH13

MIDWEST ELECTRIC PRODUCTS, INC.
 Mankato, MN

Dr. By: JDE
 Ck. By:
 CR: R0746956

* = Critical To Quality

Unless Otherwise Specified

Tolerances On:
 3 Pl. Decimals ± .010
 2 Pl. Decimals ± .030
 Fractions ± 1/32
 Angles ± 1/2
 Holes ± .003
 Dimensions Are in Inches

AutoCad Generated

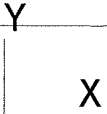
SCALE 1 : 1	SIZE A
----------------	-----------

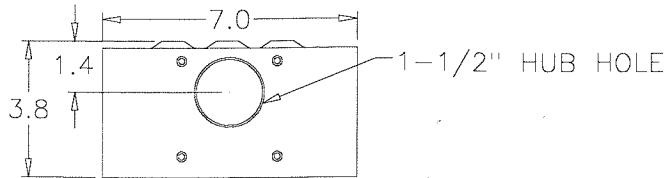
SHEET 1 OF 1

TITLE: U055G
 OUTLINE DRAWING

DWG NO: 265A6213

Rev.1 CR R0746956 JE 2-6-08
 Rev.2 CR R1113786 GLS 2-13-12

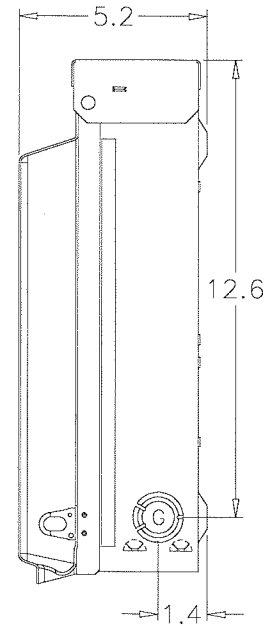
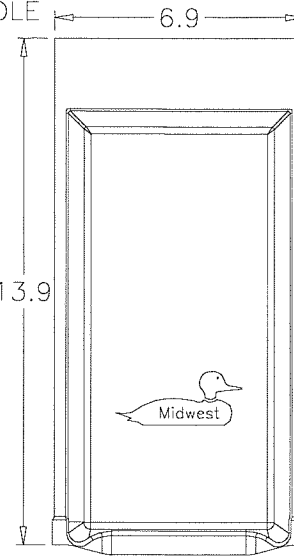
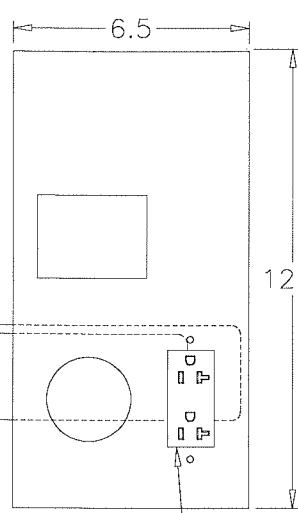
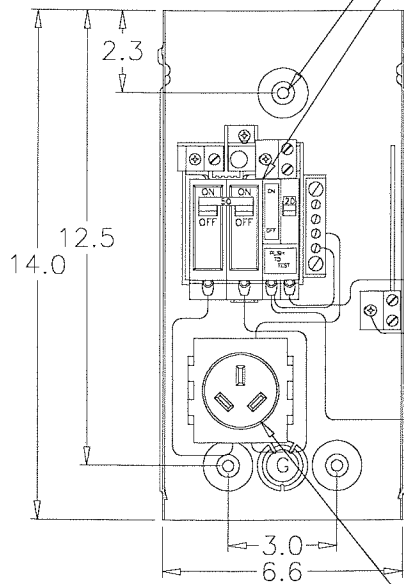
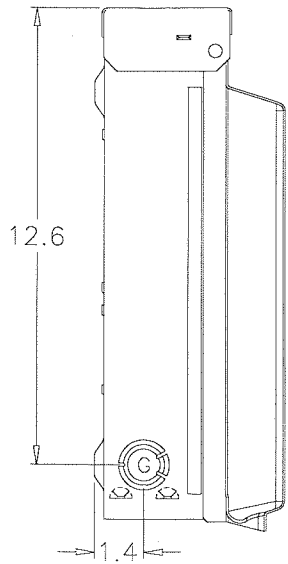




KNOCKOUT TABLE:

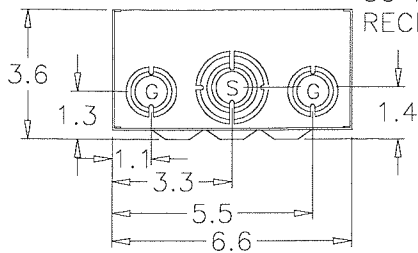
S= 1/2", 3/4", 1", 1-1/4", 1-1/2" KO
G= 1/2", 3/4", 1" KO

5/16" MOUNTING HOLE (3X)
3 CIRCUIT 70 AMP LOAD CENTER
50 AMP. BREAKER 2-POLE
20 AMP. GFI BREAKER 1-POLE



10-50R
50 AMP.
RECEPTACLE

5-20R2
20 AMP
DUPLEX



WIRE RANGE TABLE:

CONNECTOR	COPPER		ALUMINUM	
	SOLID	STRAND	SOLID	STRAND
LINE	14-8	14-2	12-8	12-2
LOAD	14-10	14-10	-----	-----
NEUTRAL END HOLE	14-8	14-2	12-8	12-2
NEUTRAL SIDE HOLE	14-8	14-4	12-8	12-4
EQUIP. GRND.	12-8	12-2	12-8	12-2

SH21

MIDWEST ELECTRIC PRODUCTS, INC.
Mankato, MN
Midwest

Dr. By: JDE
Ck. By:
CR: R0814112

* = Critical To Quality
Unless Otherwise Specified

Tolerances On:
3 Pl. Decimals ± .010
2 Pl. Decimals ± .030
Fractions ± 1/32
Angles ± 1/2°
Holes ± .003
Dimensions Are In Inches

AutoCad Generated

SCALE 1 : 1
SIZE A

SHEET 1 OF 1

TITLE: U051G
OUTLINE DRAWING

DWG NO: 265A6213

Rev.1 CR R0814112 JE 2-19-08
Rev.2 CR R1113786 CJS 2-13-12

X