

# Spec 5 Conduit Bodies, Covers and Gaskets

For Rigid Conduit and IMC

NEC/CEC — Suitable for use in the following

Hazardous Locations:

Class I, Division 2 per NEC 501.10(B)(4)

## Applications

- To provide access to conductors for pulling, splicing, maintenance and future changes/ upgrades.
- Allows connection of straight conduit runs, branch conduit runs and 90° bends.
- Conduit bodies are suitable for use in Class I, Division 2 hazardous locations per NEC Section 501-4(B).

## Features

- Tapered threaded hubs (NPT).
- Raintight when used with gasketed covers.
- Malleable iron suitable for use in concrete.
- For covers and gaskets, see Pages AB4 and AB5.
- Complete interchangeability with other manufacturers' style "5" or "35" Conduit Bodies.
- Internal volume and maximum wire clearly marked on castings.

## Standard Materials

- Bodies: malleable iron
- Blank covers: malleable iron or steel
- Cover screws: stainless steel
- Gaskets: neoprene or composition fiber

## Standard Finishes

- Malleable iron bodies and covers: triple-coat — (1) zinc electroplate, (2) chromate, and (3) epoxy powder coat
- Stamp steel covers: zinc electroplated

## Options

- For additional corrosion protection, specify Hot Dip Galvanized: add suffix **-G** to Malleable Iron Catalog Number.

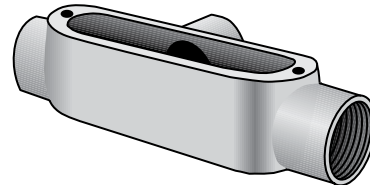
## NEC/CEC Certifications and Compliances

- UL Standard: 514A, 514B
- UL Listed: E-18095
- CSA Standard: C22.2 No. 18
- CSA Certified: 009795
- Suitable for wet locations when used with gasketed covers.
- Fed Spec: A-A-50563
- NEMA: FB-1, FB-2.10

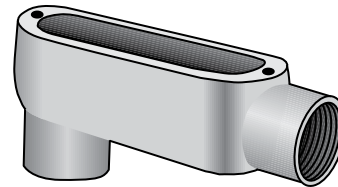


Type LB

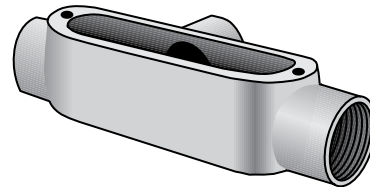
## Illustrated Features



Type T



Type LB







Type T

# Spec 5 Conduit Bodies, Covers and Gaskets

For Rigid Conduit and IMC

NEC/CEC — Suitable for use in the following  
Hazardous Locations:  
Class I, Division 2 per NEC 501.10(B)(4)

Trade Size (Inches)	Max. Wire Fill	C		Max. Wire Fill	LB		
		Malleable Iron ②	Malleable Iron Hot Dip Galvanized		Malleable Iron ②	Malleable Iron Hot Dip Galvanized	
							
1/2	①	C-50	C-50G	①	LB-50	LB-50G	
3/4	(3) # 6AWG	C-75	C-75G	(3) # 6AWG	LB-75	LB-75G	
1	(3) # 4AWG	C-100	C-100G	(3) # 4AWG	LB-100	LB-100G	
1-1/4	(3) # 2AWG	C-125	C-125G	(3) # 2AWG	LB-125	LB-125G	
1-1/2	(3) # 1/0AWG	C-150	C-150G	(3) # 1/0AWG	LB-150	LB-150G	
2	(3) # 4/0AWG	C-200	C-200G	(3) # 4/0AWG	LB-200	LB-200G	
2-1/2	(3) 300MCM	C-250	—	(3) 300MCM	LB-250	LB-250G	
3	(3) 300MCM	C-300	—	(3) 300MCM	LB-300	LB-300G	
3-1/2	(3) 350MCM	C-350	—	(3) 350MCM	LB-350	LB-350G	
4	(3) 350MCM	C-400	—	(3) 350MCM	LB-400	LB-400G	

Trade Size (Inches)	Max. Wire Fill	T		Max. Wire Fill	TB		
		Malleable Iron ②	Malleable Iron Hot Dip Galvanized		Malleable Iron ②	Malleable Iron Hot Dip Galvanized	
							
1/2	①	T-50	T-50G	①	TB-50	TB17-G	
3/4	(3) # 6AWG	T-75	T-75G	(3) # 6AWG	TB-75	TB27-G	
1	(3) # 4AWG	T-100	T-100G	(3) # 4AWG	TB-100	TB37-G	
1-1/4	(3) # 2AWG	T-125	T-125G	(3) # 2AWG	TB-125	TB47-G	
1-1/2	(3) # 1AWG	T-150	T-150G	(3) # 1AWG	TB-150	TB57-G	
2	(3) # 2/0AWG	T-200	T-200G	(3) # 2/0AWG	TB-200	TB67-G	
2-1/2	(3) 300MCM	T-250	T-250G	(3) 300MCM	—	—	
3	(3) 300MCM	T-300	T-300G	(3) 300MCM	—	—	
3-1/2	(3) 350MCM	T-350	T-350G	(3) 350MCM	—	—	
4	(3) 350MCM	T-400	T-400G	(3) 350MCM	—	—	

① All 1/2" Max Wire Fill Calculations per the NEC - Annex C - Table C8.

② PVC coating available on select bodies. Add suffix **-PVC** to catalog number.

# Spec 5 Conduit Bodies, Covers and Gaskets

For Rigid Conduit and IMC

NEC/CEC — Suitable for use in the following  
Hazardous Locations:  
Class I, Division 2 per NEC 501.10(B)(4)

Trade Size (Inches)	Max. Wire Fill	LL		LR		
		Malleable Iron ②	Malleable Iron Hot Dip Galvanized	Max. Wire Fill	Malleable Iron ②	Malleable Iron Hot Dip Galvanized



1/2	①	LL-50	LL-50G	①	LR-50	LR-50G
3/4	(3) # 6AWG	LL-75	LL-75G	(3) # 6AWG	LR-75	LR-75G
1	(3) # 4AWG	LL-100	LL-100G	(3) # 4AWG	LR-100	LR-100G
1-1/4	(3) # 2AWG	LL-125	LL-125G	(3) # 2AWG	LR-125	LR-125G
1-1/2	(3) # 1/0AWG	LL-150	LL-150G	(3) # 1/0AWG	LR-150	LR-150G
2	(3) # 4/0AWG	LL-200	LL-200G	(3) # 4/0AWG	LR-200	LR-200G
2-1/2	(3) 300MCM	LL-250	—	(3) 300MCM	LR-250	—
3	(3) 350MCM	LL-300	—	(3) 350MCM	LR-300	—
3-1/2	(3) 350MCM	LL-350	—	(3) 350MCM	LR-350	—
4	(3) 350MCM	LL-400	—	(3) 350MCM	LR-400	—

Trade Size (Inches)	Max. Wire Fill	X	
		Malleable Iron ②	Malleable Iron Hot Dip Galvanized



1/2	①	X-50	X-50G
3/4	(3) # 6AWG	X-75	X-75G
1	(3) # 4AWG	X-100	X-100G
1-1/4	(3) # 4AWG	X-125	X-125G
1-1/2	(3) 1/0	X-150	X-150G
2	(3) 2/0	X-200	X-200G
2-1/2	—	—	—
3	—	—	—
3-1/2	—	—	—
4	—	—	—

① All 1/2" Max Wire Fill Calculations per the NEC - Annex C - Table C8.

② PVC coating available on select bodies. Add suffix **-PVC** to catalog number.

# Spec 5 Conduit Bodies, Covers and Gaskets

For Rigid Conduit and IMC

NEC/CEC — Suitable for use in the following  
Hazardous Locations:  
Class I, Division 2 per NEC 501.10(B)(4)

## Applications

- To provide access to conductors for pulling, splicing, maintenance and future changes/ upgrades.
- Allows connection of straight conduit runs, branch conduit runs and 90° bends.
- Conduit bodies are suitable for use in Class I, Division 2 hazardous locations per NEC Section 501-4(B).

## Features

- Tapered threaded hubs (NPT).
- Packaged complete under one Catalog Number.
- Ready to use

## Standard Materials

- Bodies: malleable iron
- Cover - Type BS steel
- Gasket - Type SGN neoprene

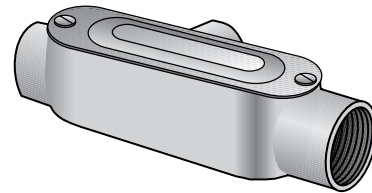
## Standard Finishes

- Malleable iron bodies and covers: triple-coat — (1) zinc electroplate, (2) chromate, and (3) epoxy powder coat
- Covers: zinc electroplated

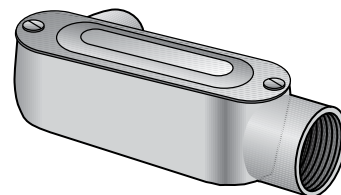
## NEC/CEC Certifications and Compliances

- UL Standard: 514A
- UL Listed: E-18095
- CSA Standard: C22.2 No. 18
- CSA Certified: 009795
- Suitable for wet locations when used with gasketed covers.
- Fed Spec: A-A-50563
- NEMA: FB-1, FB-2.10

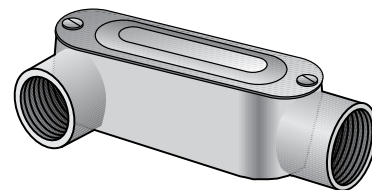
## Illustrated Features



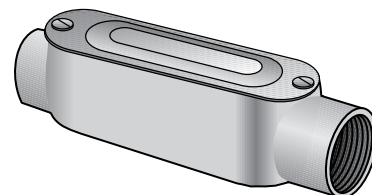
Type T-CG



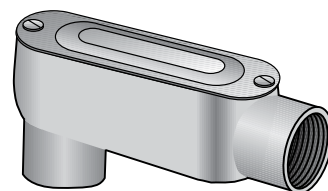
Type LL-CG



Type LR-CG



Type C-CG



Type LB-CG

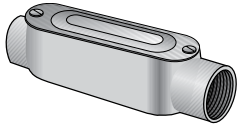
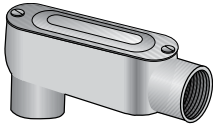
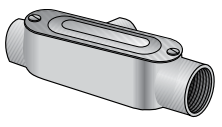
OZGEDNEY

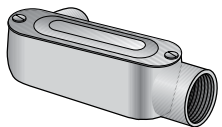
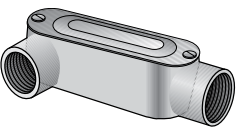
INDUSTRIAL FITTINGS: ORDINARY LOCATION CONDUIT BODIES

# Spec 5 Conduit Bodies, Covers and Gaskets

For Rigid Conduit and IMC

NEC/CEC — Suitable for use in the following  
Hazardous Locations:  
Class I, Division 2 per NEC 501.10(B)(4)

Trade Size (Inches)	C-CG		LB-CG		T-CG	
	Max. Wire Fill	Catalog Number	Max. Wire Fill	Catalog Number	Max. Wire Fill	Catalog Number
						
1/2	①	<b>C-50CG</b>	①	<b>LB-50CG</b>	①	<b>T-50CG</b>
3/4	(3) # 6AWG	<b>C-75CG</b>	(3) # 6AWG	<b>LB-75CG</b>	(3) # 6AWG	<b>T-75CG</b>
1	(3) # 4AWG	<b>C-100CG</b>	(3) # 4AWG	<b>LB-100CG</b>	(3) # 4AWG	<b>T-100CG</b>
1-1/4	(3) # 2AWG	<b>C-125CG</b>	(3) # 2AWG	<b>LB-125CG</b>	(3) # 2AWG	<b>T-125CG</b>
1-1/2	(3) # 1/0AWG	<b>C-150CG</b>	(3) # 1/0AWG	<b>LB-150CG</b>	(3) # 1AWG	<b>T-150CG</b>
2	(3) # 4/0AWG	<b>C-200CG</b>	(3) # 4/0AWG	<b>LB-200CG</b>	(3) # 2/0AWG	<b>T-200CG</b>

Trade Size (Inches)	LL-CG		LR-CG	
	Max. Wire Fill	Catalog Number	Max. Wire Fill	Catalog Number
				
1/2	①	<b>LL-50CG</b>	①	<b>LR-50</b>
3/4	(3) # 6AWG	<b>LL-75CG</b>	(3) # 6AWG	<b>LR-75</b>
1	(3) # 4AWG	<b>LL-100CG</b>	(3) # 4AWG	<b>LR-100</b>
1-1/4	(3) # 2AWG	<b>LL-125CG</b>	(3) # 2AWG	<b>LR-125</b>
1-1/2	(3) # 1/0AWG	<b>LL-150CG</b>	(3) # 1/0AWG	<b>LR-150</b>
2	(3) # 4/0AWG	<b>LL-200CG</b>	(3) # 4/0AWG	<b>LR-200</b>

① All 1/2" Max Wire Fill Calculations per the NEC - Annex C - Table C8.

② PVC coating available on select bodies. Add suffix **-PVC** to catalog number.

# Spec 5 Conduit Bodies, Covers and Gaskets

For Rigid Conduit and IMC

NEC/CEC — Suitable for use in the following  
Hazardous Locations:  
Class I, Division 2 per NEC 501.10(B)(4)

## Wiring Capacity: Combine Body and Cover Capacities for Total Usable Capacity per NEC 314.16(A)

Hub Size (Inches)	Capacity (dm <sup>3</sup> /in <sup>3</sup> )										Stamped Cover	Cast Cover
	C	E	LB	LL & LR	LRL	T	TA	TB	X			
1/2	0.07/ 4.50	0.07 4.50/	0.07/ 4.50	0.07/ 4.50	0.08/ 5.00	0.10/ 6.00	0.07/ 4.30	0.07/ 4.30	0.10/ 6.00	0.01/ 0.50	0.00/ 0.00	
3/4	0.12/ 7.50	0.12 7.50/	0.12/ 7.50	0.12/ 7.50	0.14/ 8.80	0.16/ 9.50	0.11/ 7.00	0.11/ 7.00	0.16/ 9.50	0.01/ 0.80	0.00/ 0.30	
1	0.20/ 12.50	0.20 12.50/	0.20/ 12.50	0.20/ 12.50	0.23/ 14.30	0.25/ 15.00	0.25/ 15.00	0.21/ 13.00	0.25/ 15.00	25.4/ 1.00	0.01/ 0.50	
1-1/4	0.57/ 35.00	0.48 29.30/	0.53/ 32.30	0.52/ 32.00	0.57/ 34.80	0.54/ 33.00	—	0.57/ 35.00	0.52/ 31.50	0.04/ 2.50	0.01/ 0.80	
1-1/2	0.58/ 35.30	0.53 32.50/	0.58/ 35.30	0.58/ 35.30	0.66/ 40.00	0.59/ 36.00	—	0.58/ 35.30	0.66/ 40.00	0.04/ 2.50	0.01/ 0.80	
2	1.23/ 75.00	—	1.20/ 73.00	1.20/ 73.00	1.39/ 85.00	1.16/ 71.00	—	1.16/ 71.00	1.16/ 71.00	0.11/ 6.50	0.02/ 1.00	
2-1/2	2.34/ 143.00	—	2.28/ 139.00	2.30/ 140.50	—	2.39/ 146.00	—	—	—	0.29/ 18.00	0.49/ 30.00	
3	2.95/ 180.00	—	2.90/ 177.00	2.87/ 175.00	—	3.03/ 185.00	—	—	—	0.29/ 18.00	0.49/ 30.00	
3-1/2	4.97/ 303.00	—	4.92/ 300.00	4.92/ 300.00	—	5.15/ 314.00	—	—	—	—	0.82/ 50.00	
4	5.57/ 340.00	—	5.41/ 330.00	5.41/ 330.00	—	5.65/ 345.00	—	—	—	—	0.82/ 50.00	
5	—	—	12.39/ 756.00	—	—	—	—	—	—	—	—	
6	—	—	21.76/ 1328.00	—	—	—	—	—	—	—	—	

OZGEDNEY

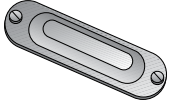
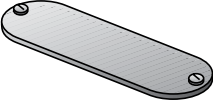

INDUSTRIAL FITTINGS: ORDINARY LOCATION CONDUIT BODIES

# Spec 5 Conduit Bodies, Covers and Gaskets

For Spec 5 Conduit Outlet Bodies.

NEC/CEC — Suitable for use in the following  
Hazardous Locations:  
Class I, Division 2 per NEC 501.10(B)(4)

## Blank Covers and Gaskets

Body Size (Inches)	Domed Top Design Cover	Flat Top Design Cover	Solid Cover Sealing Gasket	
			Velbuna	Neoprene
				
1/2	<b>BS-50S</b>	<b>BC-50G</b>	<b>SG-50</b>	<b>SGN-50</b>
3/4	<b>BS-75S</b>	<b>BC-75G</b>	<b>SG-75</b>	<b>SGN-75</b>
1	<b>BS-100S</b>	<b>BC-100G</b>	<b>SG-100</b>	<b>SGN-100</b>
1-1/4 - 1-1/2	<b>BS-125S</b>	<b>BC-125G</b>	<b>SG-125</b>	<b>SGN-125</b>
2	<b>BS-200S</b>	<b>BC-200G</b>	<b>SG-200</b>	<b>SGN-200</b>
2-1/2 - 3	<b>BS-250S</b>	<b>BC-250G</b>	<b>SG-250</b>	<b>SGN-250</b>
3-1/2 - 4	<b>BS-350S</b> <sup>①</sup>	<b>BC-350G</b>	<b>SG-350</b>	<b>SGN-350</b>

OZGEDNEY

INDUSTRIAL FITTINGS: ORDINARY LOCATION CONDUIT BODIES

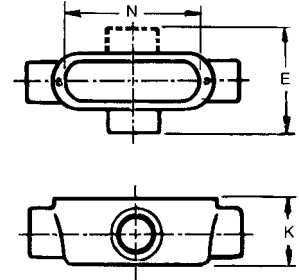
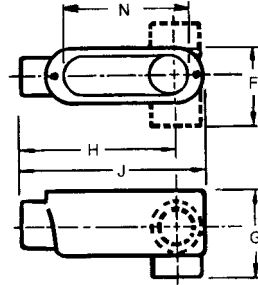
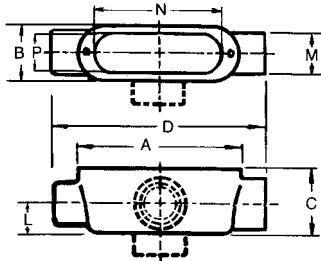
<sup>①</sup> Flat Top Design Cover

# Spec 5 Conduit Bodies, Covers and Gaskets

For Rigid Conduit and IMC

NEC/CEC — Suitable for use in the following  
Hazardous Locations:  
Class I, Division 2 per NEC 501.10(B)(4)

## Threaded Type Dimensions in Millimeters (Inches)



Hub Size	Types A, C, TA, TB				Types E, LB, LL, LR, LRL						Types T, X				
	A	B	C	D	E	F	G	H	J	K	L	M	N	P	
1/2	100.1 (3.94)	33.3 (1.31)	36.6 (1.44)	136.7 (5.38)	68.3 (2.69)	50.8 (2.00)	54.1 (2.13)	100.1 (3.94)	117.6 (4.63)	44.5 (1.75)	16.0 (0.63)	30.2 (1.19)	80.3 (3.16)	25.4 (1.00)	
3/4	117.6 (4.63)	39.6 (1.56)	42.9 (1.69)	153.9 (6.06)	73.2 (2.88)	55.6 (2.19)	58.7 (2.31)	112.8 (4.44)	136.7 (5.38)	50.8 (2.00)	19.1 (0.75)	35.1 (1.38)	96.0 (3.78)	31.0 (1.22)	
1	136.7 (5.38)	46.0 (1.81)	49.3 (1.94)	181.1 (7.13)	85.9 (3.38)	65.0 (2.56)	68.3 (2.69)	130.3 (5.13)	158.8 (6.25)	57.2 (2.25)	23.9 (0.94)	42.9 (1.69)	115.1 (4.53)	37.3 (1.47)	
1-1/4	182.6 (7.19)	63.5 (2.50)	65.0 (2.56)	233.4 (9.19)	114.3 (4.50)	88.9 (3.50)	90.4 (3.56)	179.3 (7.06)	208.0 (8.19)	65.0 (2.56)	30.2 (1.19)	50.8 (2.00)	152.4 (6.00)	50.8 (2.00)	
1-1/2	182.6 (7.19)	63.5 (2.50)	69.9 (2.75)	233.4 (9.19)	114.3 (4.50)	88.9 (3.50)	95.3 (3.75)	173.0 (6.81)	208.0 (8.19)	69.9 (2.75)	35.1 (1.38)	60.5 (2.38)	152.4 (6.00)	50.8 (2.00)	
2	241.3 (9.50)	79.5 (3.13)	85.9 (3.38)	295.4 (11.63)	133.4 (5.25)	106.4 (4.19)	117.6 (4.63)	227.1 (8.94)	268.2 (10.56)	85.9 (3.38)	41.4 (1.63)	74.7 (2.94)	204.7 (8.06)	65.0 (2.56)	
2-1/2	311.2 (12.25)	109.5 (4.31)	98.6 (3.88)	384.3 (15.13)	—	146.1 (5.75)	133.4 (5.25)	301.8 (11.88)	347.7 (13.69)	98.6 (3.88)	46.0 (1.81)	85.9 (3.38)	270.0 (10.63)	93.7 (3.69)	
3	311.2 (12.25)	109.5 (4.31)	117.6 (4.63)	384.3 (15.13)	—	146.1 (5.75)	152.4 (6.00)	293.6 (11.56)	347.7 (13.69)	117.6 (4.63)	55.6 (2.19)	104.9 (4.13)	270.0 (10.63)	93.7 (3.69)	
3-1/2	378.0 (14.88)	139.7 (5.50)	131.8 (5.19)	460.5 (18.13)	—	181.1 (7.13)	173.0 (6.81)	355.6 (14.00)	419.1 (16.50)	131.8 (5.19)	63.5 (2.50)	120.7 (4.75)	333.5 (13.13)	124.0 (4.88)	
4	378.0 (14.88)	139.7 (5.50)	141.2 (5.56)	460.5 (18.13)	—	181.1 (7.13)	182.6 (7.19)	349.3 (13.75)	419.1 (16.50)	141.2 (5.56)	69.9 (2.75)	130.3 (5.13)	333.5 (13.13)	124.0 (4.88)	
5	463.6 (18.25)	184.2 (7.25)	177.8 (7.00)	—	—	—	228.6 (9.00)	428.8 (16.88)	514.4 (20.25)	—	85.9 (3.38)	165.1 (6.50)	412.8 (16.25)	165.1 (6.50)	
6	584.2 (23.00)	219.2 (8.63)	220.7 (8.69)	—	—	—	271.5 (10.69)	534.9 (21.06)	635.0 (25.00)	—	100.1 (3.94)	192.0 (7.56)	533.4 (21.00)	198.4 (7.81)	

OZGEDNEY

INDUSTRIAL FITTINGS: ORDINARY LOCATION CONDUIT BODIES