

# Cable Supports

## General Information

Cable Supports are used to support cables in vertical raceways or risers. Cable supports relieve the strain that would be placed on terminations, the interior of panels, or other devices to which the cables are connected. Properly designed cable supports must not only be capable of supporting a given weight of cable with a good margin of safety but must also support the cable without damaging the insulation or excessively reducing the amount of insulation over the conductor in the area where the cable is supported. O-Z/Gedney has been furnishing Cable Supports to the electrical industry for over 80 years that meet these requirements.

**Requirements for Cable Supports in the National Electrical Code reads as follows:**

### 300.19 Supporting Conductors in Vertical Raceways.

#### (A) Spacing Intervals - Maximum.

Conductors in vertical raceways shall be supported if the vertical rise exceeds the values in Table 300.19(A). One cable support shall be provided at the top of the vertical raceway or as close to the top as practical. Intermediate supports shall be provided as necessary to limit supported conductor lengths to not greater than those specified in Table 300.19(A).

#### Example:

A 10-story building contains a vertical conduit run from the basement to the top floor, approx. 110 feet in length. The raceway contains 4/0 copper conductors. Per Table 300.19(A), the unsupported cable length cannot exceed 80 feet. Therefore, one cable support is required at or near the top of the vertical riser, and one intermediate support is required at or near the midpoint in the conduit run, assuring that any unsupported cable length does not exceed 80 feet.

TABLE 300-19(A). Spacing for Conductor Supports

Size of Wire	Support of Conductors in Vertical Raceways	Conductors			
		Aluminum or		Copper	
		Copper-Clad Aluminum			
		m	ft	m	ft
18 AWG through 8 AWG	Not greater than	30	100	30	100
6 AWG through 1/0 AWG	Not greater than	60	200	30	100
2/0 AWG through 4/0 AWG	Not greater than	55	180	25	80
over 4/0 AWG - 350 kcmil	Not greater than	41	135	18	60
over 350 kcmil - 500 kcmil	Not greater than	36	120	15	50
over 500 kcmil - 750 kcmil	Not greater than	28	95	12	40
over 750 kcmil	Not greater than	26	85	11	35

The chart below indicates the support we recommend for several of the most common applications.

Application	Recommended O-Z/Gedney Cable Support	Catalog Page #
TWO or more wires - Indoors - at voltages to 600V	Type S	QA3
ONE or more wires - Indoors - at all voltages	Type R	QA5
Retrofit - TWO or more wires - Indoors - at voltages to 600V	Type D	QA4
Retrofit - ONE or more wires - Indoors - at all voltages	Type DR	QA6
Ventilating - ONE or more wires - Outdoors - at all voltages	Type CMT	QA7
Ventilating - Bakelite - ONE or more wires - Outdoors - at all voltages	Type V	QA8
Non-ventilating - ONE or more wires - Outdoors - at all voltages	Type C	QA9
Locking - Horizontal/Vertical - ONE or more wires - Indoors - at all voltages	Type K	QA10
Space Maker - ONE or more wires - Indoors - at all voltages	Type M	QA11
Pull Box - ONE or more wires - Outdoors at all voltages	Type W	QA12
Wire Armored Cable - In conduit or supported by structure	Type F/FS/FT	QA15

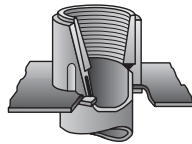
# Cable Supports

## General Information

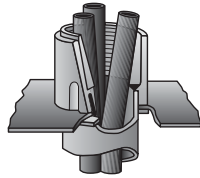
Two basic types of cable supports are offered for use with non-armored cable. They both utilize the pOZi-grip® Wedging Plug. pOZi-grip® is a unique manufacturing technique for lining the cable grooves with a coarse grain grit using a high strength epoxy adhesive. This grit improves the Cable Support holding power and does not injure the jacket or insulation on the cable. Other features and their applications are illustrated below.

### One Piece Plug Type "S"

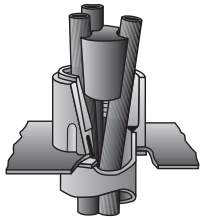
This type consists of a metal body having an insulating liner with a knurled and tapered inside surface and a one piece impregnated hardwood wedging plug having a groove for each wire. This type support is recommended for use with all types of non-armored cables 600 volts or less, as it is the easiest to install, impossible to install incorrectly and it provides ventilation of the conduit. This design is used in our Types "S" and "D" Cable Supports. The basic principles of their assembly are illustrated below.



1 Screw body on the end of the conduit or connector in place of the regular insulating bushing.

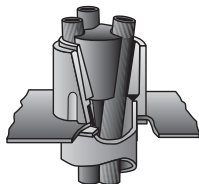


2 Pull wires and arrange temporary means of support.



3 a. Remove all pulling compound from wires in the area where they pass through the cable support.  
3 b. Place the plug between the wires as close to the

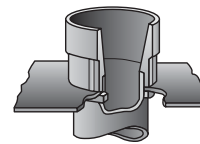
top of the body as possible. Care should be taken to locate each wire in the proper groove.



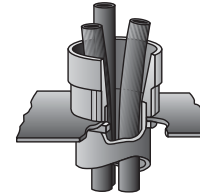
4 Tap the plug firmly into the support body.

### Multiple Segment Plug Type "R"

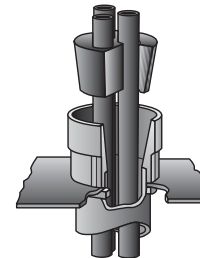
This type consists of an all metal body having a tapered inner surface and a canvas bakelite multiple segment wedging plug so constructed that each cable is supported between grooves in adjacent segments. This construction provides the uniform pressure distribution required by the softer types of insulations frequently used at higher voltages. This design is used in non-ventilating types "R," "DR," "W," "C," "K" and "M," and Ventilating Compound Types "CMT," and "V." The basic principles of their assembly are illustrated below.



1 Screw body on the end of the conduit or connector in place of the regular insulating bushing.

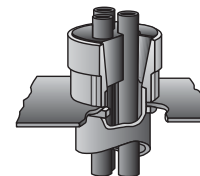


2 Pull wires and arrange temporary means of support.



3 a. Remove all pulling compound from wires in the area where they pass through the cable support.  
3 b. Place the segments of the plug around the

plug around the wires. Where more than two segments are involved the top of each plug segment has numbers at each end and it is important that these are paired with the corresponding numbers on the adjacent plug segments.



4 Tap the plug segments evenly and firmly into the support body.

# Cable Supports

For Rigid Conduit, IMC<sup>†</sup> & EMT with pOzi-grip® "S-style" Wedging Plug

## Type S

For TWO or more wires - Indoors - at voltages to 600V.

### Use:

For supporting non-armored electrical cables in vertical conduit risers.

### Features:

- Threaded for Rigid Conduit and IMC.
- For threadless conduit or EMT, see note below.
- Use with all types of insulations at voltages to and including 600V.
- The fastest and easiest type cable support to install.
- The knurled insulating inner surface and one piece impregnated hardwood pOzi-grip plug provide positive support well in excess of code requirements.
- "Body Only" can be ordered separately, for installation prior to wire pulling. "Plug Only" can be ordered later, once wires are in place.

**NOTE: Plugs will not be supplied undrilled.**

- Lay-In-Lug™ Grounding Lug can be mounted on Cable Support Body - See page QA14.

### Material:


Bodies of Fittings are Malleable or Ductile Iron with Hot Dip Galvanized Finish.

### Optional Material/Finish:

Bodies of fittings are also available in Cast Aluminum. Add suffix "A" to Catalog Number. Example: **S-1500A-1**. Contact your local representative for price and availability. For non-metallic bodies, see page QA4.

### Third Party Certification:

 UL Listed: E-11853

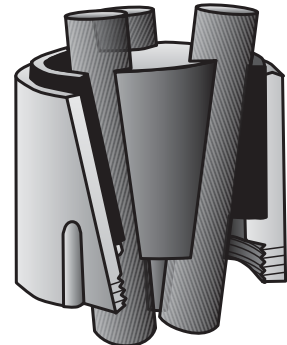
 CSA Certified: 11584

### Applicable Third Party Standards:

UL Standard: 514B  
CSA Standard C22.2 No. 18  
NEC 300-19

† For Threadless Rigid Conduit, Threadless IMC, or EMT, the body can be attached to the male threads of a set-screw or compression connector. See Catalog Sections EA, FA, and FB. For PVC Conduit, use a PVC terminal adapter. If mounting on a non-metallic/non-grounded conduit, a Lay-In-Lug™ grounding lug should be mounted on cable support body - see page QA14.

**TO ORDER SPECIFY:**  
1 Catalog Number  
2 Type and number of conductors in conduit  
3 Outside diameters of each conductor

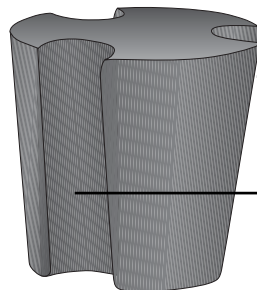


Type S

\*Cable support plugs will not be supplied undrilled.

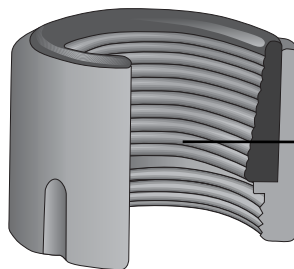
Conduit Size	Catalog Number Complete Fitting		Catalog Number Body Only	Catalog Number Plug Only*		Dimensions in Inches	
	2-4 Same Size Wires	Any Number of Different Size Wires or 5 or More Same Size Wires		2-4 Same Size Wires	Any Number of Different Size Wires or 5 or More Same Size Wires	Outside Diameter	Overall Height
1½"	S-1500-1	S-1500-2	S-1500-BO	SPLG-1500-1	SPLG-1500-2	2⅝"	2⅝"
2"	S-2000-1	S-2000-2	S-2000-BO	SPLG-2000-1	SPLG-2000-2	3⅜"	2⅝"
2½"	S-2500-1	S-2500-2	S-2500-BO	SPLG-2500-1	SPLG-2500-2	3¾"	3"
3"	S-3000-1	S-3000-2	S-3000-BO	SPLG-3000-1	SPLG-3000-2	4½"	3⅝"
3½"	S-3500-1	S-3500-2	S-3500-BO	SPLG-3500-1	SPLG-3500-2	5⅝"	3½"
4"	S-4000-1	S-4000-2	S-4000-BO	SPLG-4000-1	SPLG-4000-2	5⅝"	3⅝"
5"	S-5000-1	S-5000-2	S-5000-BO	SPLG-5000-1	SPLG-5000-2	6⅝"	4½"
6"	S-6000-1	S-6000-2	S-6000-BO	SPLG-6000-1	SPLG-6000-2	8⅝"	5½"

\*Cable support plugs will not be supplied undrilled.



Impregnated Hardwood pOzi-grip® Wedging Plug

Shape and special gripping surface of grooves in plug give maximum support to cable.



Malleable or Ductile Iron Body

Tapered inside surface of insulating bushing is knurled to grip cable.

# Cable Supports

## Retrofit Type Split Bakelite Body with pOzi-grip® "S-style" Wedging Plug

### Type D

For TWO or more wires already installed in conduit - Indoors - at voltages to 600v.

**Use:**

- For supporting non-armored electrical cables in vertical conduit risers.

**Features:**

- Retrofit Type Cable Support can be installed after conductors are pulled and terminated.
- Split body rests on existing bushing atop any conduit raceway.
- The two halves of the body are placed around the cables, seated on the existing bushing and securely held together by the steel band set in a groove around the body. The plug is then wedged between the cables.
- Use with all types of insulations at voltages to and including 600V.
- The tapered, knurled insulating inner body surface and pOzi-grip plug provide support well in excess of code requirements.

**Material/Finish:**

Bodies are two molded Canvas Bakelite halves. Inside surface is knurled to grip cables. Steel band – zinc plated. Bolts & nuts are stainless steel.

**Third Party Certification:**

 UL Listed: E-11853

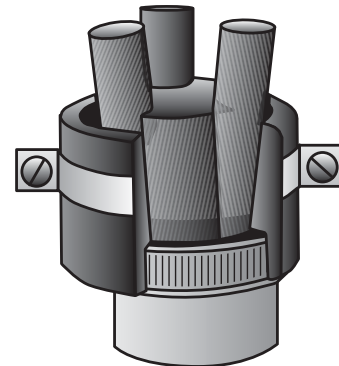
 CSA Certified: 11584

**Applicable Third Party Standards:**

UL Standard: 514B  
 CSA Standard C22.2 No. 18  
 NEC 300-19

**TO ORDER SPECIFY:**  
 1 Catalog Number  
 2 Type and number of conductors in conduit  
 3 Outside diameters of each conductor

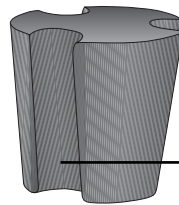
\*Cable support plugs will not be supplied undrilled.



Type D

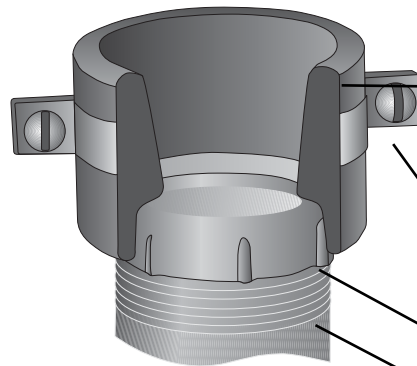
Conduit Size	Catalog Number Complete Fitting		Catalog Number Plug Only*		Dimensions in Inches				
	2-4 Same Size Wires	Any Number of Different Size Wires or 5 or More Same Size Wires	2-4 Same Size Wires	Any Number of Different Size Wires or 5 or More Same Size Wires	Outside Dia.	Overall Height	Approx. Turning Radius "R"	Inside Dia. of Skirt	No. of Straps
1½"	D-1502-1	D-1502-2	SPLG-1500-1	SPLG-1500-2	2⅝"	2"	2"	2¼"	1
2"	D-2002-1	D-2002-2	SPLG-2000-1	SPLG-2000-2	3¼"	2¼"	2⅝"	2⅝"	1
2½"	D-2502-1	D-2502-2	SPLG-2500-1	SPLG-2500-2	3⅝"	2½"	3"	3⅝"	2
3"	D-3002-1	D-3002-2	SPLG-3000-1	SPLG-3000-2	4½"	2⅝"	3⅝"	4"	2
3½"	D-3502-1	D-3502-2	SPLG-3500-1	SPLG-3500-2	5¼"	3⅝"	3⅝"	4⅝"	2
4"	D-4002-1	D-4002-2	SPLG-4000-1	SPLG-4000-2	5¼"	3½"	3⅝"	5⅝"	2
5"	D-5002-1	D-5002-2	SPLG-5000-1	SPLG-5000-2	6¼"	3¾"	4¾"	6¼"	2
6"	D-6002-1	D-6002-2	SPLG-6000-1	SPLG-6000-2	8¼"	4⅝"	5¼"	7⅝"	2

\*Cable support plugs will not be supplied undrilled.



Impregnated Hardwood pOzi-grip® Wedging Plug

Shape and special gripping surface of grooves in plug give maximum support to cable.



Two molded Canvas Bakelite halves. Inside surface is knurled to grip cables.

Steel band, Zinc Plated. Bolts and nuts are Stainless Steel.

Existing Bushing

Existing Conduit

# Cable Supports

For Rigid Conduit, IMC<sup>†</sup> and EMT with pOZi-grip<sup>®</sup> "R-style" Wedging Plug

## Type R

For ONE or more wires - Indoors - at all voltages

### Use:

For supporting non-armored electrical cables in vertical conduit risers.

### Features:

- Threaded for Rigid Conduit and IMC.
- For threadless conduit or EMT, see note below.
- Use with all types of insulations at all voltages.
- The pOZi-grip Wedging Plug exerts uniform pressure around the cable, providing holding force in excess of that required by code without deforming cable insulation.
- "Body Only" can be ordered separately, for installation prior to wire pulling. "Plug Only" can be ordered later, once wires are in place.

**NOTE: Plugs will not be supplied undrilled.**

• Lay-In-Lug™ Grounding Lug can be mounted on Cable Support Body - See page QA14.

### Material/Finish:

Body of Fitting is Malleable or Ductile Iron with Hot Dip Galvanized finish.

### Optional Material/Finish:

Bodies of fittings are also available in Cast Aluminum. Add suffix "A" to Catalog Number. Example: **R-1501A-1**. Contact your local representative for price and availability. For non-metallic bodies, see page QA6.


### Note:

Due to the possibility of Magnetic Induction Heating, a single alternating current conductor should not be used in iron fittings. Specify optional Cast Aluminum Bodies.

† For Threadless Rigid Conduit, Threadless IMC, or EMT, the body can be attached to the male threads of a set-screw or compression connector. See Catalog Sections EA, FA, and FB. For PVC Conduit, use a PVC terminal adapter. If mounting on a non-metallic/non-grounded conduit, a Lay-In-Lug™ grounding lug should be mounted on cable support body - see page QA14.

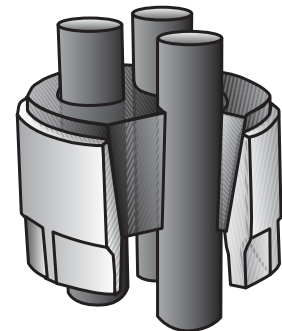
### Third Party Certification:

 UL Listed: E-11853

 CSA Certified: 11584

### Applicable Third Party Standards:

UL Standard: 514B  
CSA Standard C22.2 No. 18  
NEC 300-19



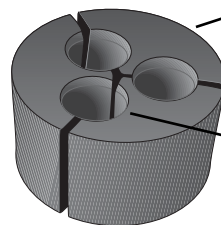
Type R

**TO ORDER SPECIFY:**  
1 Catalog Number  
2 Type and number of conductors in conduit  
3 Outside diameters of each conductor

\*Cable support plugs will not be supplied undrilled.

Conduit Size	Catalog Number Complete Fitting		Catalog Number Body Only	Catalog Number Plug Only*		Dimensions in Inches	
	1-4 Same Size Wires	Any Number of Different Size Wires or 5 or More Same Size Wires		1-4 Same Size Wires	Any Number of Different Size Wires or 5 or More Same Size Wires	Outside Diameter	Approx. Overall Height
1½"	R-1501-1	R-1501-2	R-1501-BO	RPLG-1501-1	RPLG-1501-2	2⅝"	2⅝"
2"	R-2001-1	R-2001-2	R-2001-BO	RPLG-2001-1	RPLG-2001-2	3"	2¾"
2½"	R-2501-1	R-2501-2	R-2501-BO	RPLG-2501-1	RPLG-2501-2	3⅝"	3⅝"
3"	R-3001-1	R-3001-2	R-3001-BO	RPLG-3001-1	RPLG-3001-2	4"	3⅝"
3½"	R-3501-1	R-3501-2	R-3501-BO	RPLG-3501-1	RPLG-3501-2	4⅝"	3⅝"
4"	R-4001-1	R-4001-2	R-4001-BO	RPLG-4001-1	RPLG-4001-2	5"	3¾"
5"	R-5001-1	R-5001-2	R-5001-BO	RPLG-5001-1	RPLG-5001-2	6¼"	4⅝"
6"	R-6001-1	R-6001-2	R-6001-BO	RPLG-6001-1	RPLG-6001-2	7"	5¼"

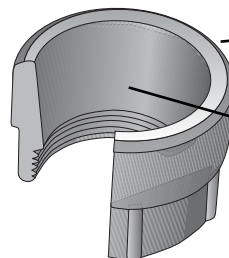
\*Cable support plugs will not be supplied undrilled.



Canvas Bakelite pOZi-grip<sup>®</sup> Wedging Plug

For one wire type, the plug consists of two pieces. For two wires or more, there is one piece for each wire.

Shape and special gripping surface of grooves in plug give maximum support to each cable and distributes even pressure around its entire circumference.



Malleable or Ductile Iron Body.

Inside tapered surface is machined to assure proper seating of the Wedging Plug.

# Cable Supports

## Retrofit Type Split Bakelite Body with pOzi-grip® "R-style" Wedging Plug

### Type DR

For ONE or more wires already installed in conduit - Indoors - at all voltages.

**Use:**

For supporting non-armored electrical cables in vertical conduit risers.

**Features:**


- Retrofit Type Cable support can be installed after conductors are pulled and terminated.
- Split Body rests on existing bushing atop any conduit raceway.
- Use with all types of insulations at all voltages.
- The pOzi-grip Wedging Plug exerts uniform pressure around the cable, providing holding force in excess of that required by code without deforming cable insulation.

**Material/Finish:**

Bodies are two molded Canvas Bakelite halves. Canvas Bakelite pOzi-grip Wedging Plug. Steel band – zinc plated. Bolts and nuts are stainless steel.

**Third Party Certification:**

 UL Listed: E-11853

 CSA Certified: 11584

**Applicable Third Party Standards:**

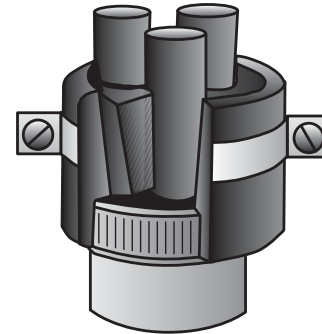
UL Standard: 514B  
CSA Standard C22.2 No. 18  
NEC 300-19

**Note:**

Due to the possibility of magnetic induction heating effects, a single alternating current conductor should not be used in these fittings.

**TO ORDER SPECIFY:**  
1 Catalog Number  
2 Type and number of conductors in conduit  
3 Outside diameters of each conductor

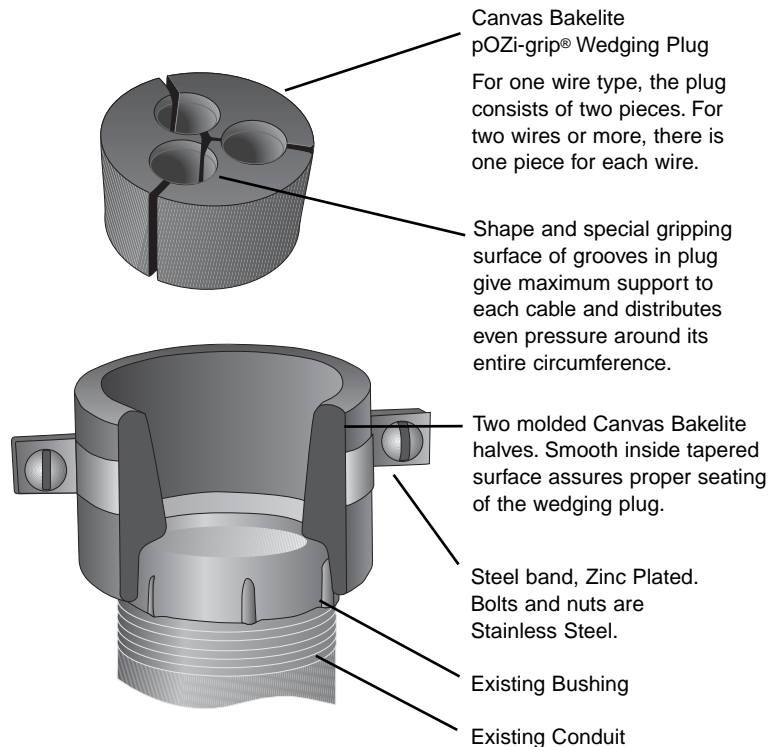
\*Cable support plugs will not be supplied undrilled.



Type DR

Conduit Size	Catalog Number Complete Fitting		Catalog Number Plug Only*		Dimensions in Inches				
	1-4 Same Size Wires	Any Number of Different Size Wires or 5 or More Same Size Wires	1-4 Same Size Wires	Any Number of Different Size Wires or 5 or More Same Size Wires	Outside Dia.	Approx. Overall Height	Turning Radius	Inside Dia. Skirt	No. of Straps
1½"	DR-1502-1	DR-1502-2	RPLG-1501-1	RPLG-1501-2	2½"	2"	2"	2¼"	1
2"	DR-2002-1	DR-2002-2	RPLG-2001-1	RPLG-2001-2	3¼"	2¼"	2⅝"	2⅝"	1
2½"	DR-2502-1	DR-2502-2	RPLG-2501-1	RPLG-2501-2	3⅝"	2½"	3"	3⅝"	2
3"	DR-3002-1	DR-3002-2	RPLG-3001-1	RPLG-3001-2	4½"	2⅞"	3⅝"	4"	2
3½"	DR-3502-1	DR-3502-2	RPLG-3501-1	RPLG-3501-2	5¼"	3⅝"	3⅝"	4⅝"	2
4"	DR-4002-1	DR-4002-2	RPLG-4001-1	RPLG-4001-2	5¾"	3½"	3⅞"	5⅝"	2
5"	DR-5002-1	DR-5002-2	RPLG-5001-1	RPLG-5001-2	6¾"	3¾"	4¼"	6¼"	2
6"	DR-6002-1	DR-6002-2	RPLG-6001-1	RPLG-6001-2	8¼"	4⅝"	5¼"	7⅝"	2

\*Cable support plugs will not be supplied undrilled.





# Cable Supports

For Rigid Conduit, IMC†, and EMT with pOzi-grip® “R-style” Wedging Plug

## Type CMT

Ventilating, compound, threaded type. For ONE or more wires - Outdoors - at all voltages.

### Use:

To support non-armored electrical cables in vertical conduit risers, furnish a weatherproof seal and provide ventilation at the top of the conduit.

### Features:

- Threaded for Rigid Conduit and IMC.
- For threadless conduit or EMT, see note below.
- Use with all types of insulations at all voltages.
- This device not only supports the cable, but furnishes a weather-proof seal and provides ventilation at the top of the conduit riser.
- The temperature in a conduit riser can be reduced 15° to 20°F with proper venting. To obtain full effect of this decrease, the lower end of the conduit must be open or vented by use of the conduit ventilators shown on Page QA13.
- “Body Only” can be ordered separately, for installation prior to wire pulling. “Plug Only” can be ordered later, once wires are in place.

**NOTE: Plugs will not be supplied undrilled.**

- For Sealing Compound for weatherproof seal - See page RA15.
- Lay-In-Lug™ - Grounding Lug can be mounted on Cable Support Body - See page QA14.

### Material/Finish:

Body of Fitting is Malleable or Ductile Iron with Hot Dip Galvanized finish.

### Optional Material:

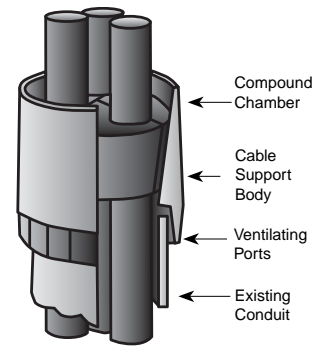
Bodies of fittings are also available in Cast Aluminum. Add suffix “A” to Catalog Number. Example: **CMT-2000A-1**. Contact your local representative for price and availability. For non-metallic bodies, see page QA8.

### Note:

Due to the possibility of Magnetic Induction Heating, a single alternating current conductor should not be used in iron fittings. Specify optional Cast Aluminum bodies or Type V Bakelite Cable Support on page QA8

**TO ORDER SPECIFY:**  
 1 Catalog Number  
 2 Type and number of conductors in conduit  
 3 Outside diameters of each conductor

\*Cable support plugs will not be supplied undrilled.



Type CMT

Approx. Conduit Size	Catalog Number Complete Fitting		Catalog Number Body Only	Catalog Number Plug Only*		Dimensions in Inches		Compound Required Pints
	1-4 Same Size Wires	Any Number of Different Size Wires or 5 or More Same Size Wires		1-4 Same Size Wires	Any Number of Different Size Wires or 5 or More Same Size Wires	Outside Diameter	Overall Height	
2"	CMT-2000-1	CMT-2000-2	CMT-2000-BO	RPLG-2001-1	RPLG-2001-2	3 5/8	3 1/2	1/4
2 1/2"	CMT-2500-1	CMT-2500-2	CMT-2500-BO	RPLG-2501-1	RPLG-2501-2	3 3/8	4	1/2
3"	CMT-3000-1	CMT-3000-2	CMT-3000-BO	RPLG-3001-1	RPLG-3001-2	4 1/2	4 3/4	1/2
3 1/2"	CMT-3500-1	CMT-3500-2	CMT-3500-BO	RPLG-3501-1	RPLG-3501-2	5	4 3/4	3/8
4"	CMT-4000-1	CMT-4000-2	CMT-4000-BO	RPLG-4001-1	RPLG-4001-2	5 1/2	5	1
5"	CMT-5000-1	CMT-5000-2	CMT-5000-BO	RPLG-5001-1	RPLG-5001-2	7 1/8	5 5/8	1 3/4
6"	CMT-6000-1	CMT-6000-2	CMT-6000-BO	RPLG-6001-1	RPLG-6001-2	8 1/4	6 3/4	3 1/2

\*Cable support plugs will not be supplied undrilled.

### Third Party Certification:



### Applicable Third Party Standards:

UL Standard: 514B  
 NEC 300-19

† For Threadless Rigid Conduit, Threadless IMC, or EMT, the body can be attached to the male threads of a set-screw or compression connector. See Catalog Sections EA, FA, and FB. For PVC Conduit, use a PVC terminal adapter. If mounting on a non-metallic/non-grounded conduit, a Lay-In-Lug™ grounding lug should be mounted on cable support body - see page QA14.

# Cable Supports

All Bakelite Cable Support For Threadless Rigid Conduit & IMC with pOZi-grip® "R-style" Wedging Plug

## Type V

Ventilating, Compound, Setscrew type.

For ONE or more wires - Outdoors - at all voltages.

### Use:

To support non-armored electrical cables in vertical conduit risers, furnish a weatherproof seal and provide ventilation at the top of the conduit.

### Features:

- Use with all types of insulations at all voltages.
- A special cable support made of Canvas Bakelite. This support furnishes a weatherproof seal and provides ventilation at the top of the conduit riser. The temperature in a riser can be reduced 15° to 20°F with proper venting. To obtain full effect of this decrease, the lower end of the conduit must be open or vented by use of the Conduit Ventilators shown on Page QA13 of this section.

• "Body Only" can be ordered separately, for installation prior to wire pulling. "Plug Only" can be ordered later, once wires are in place.

**NOTE: Plugs will not be supplied undrilled.**

- Body can also be mounted on EMT in trade sizes 2½" thru 4".
- For Sealing Compound for weatherproof seal - See page RA15.

### Material:

Canvas Bakelite Body and Plug

### Third Party Certification:



### Applicable Third Party

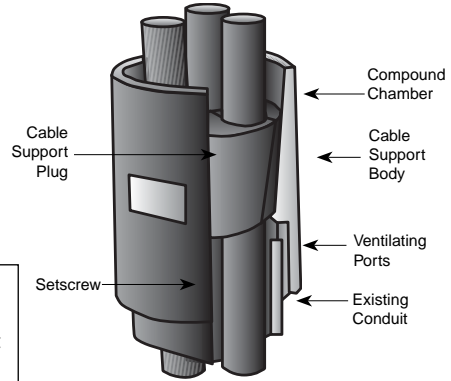
#### Standards:

UL Standard: 514B  
NEC 300-19

Can also be supplied for standard tapered ends of fibre conduit. Contact your local representative for price and availability.

**TO ORDER SPECIFY:**  
 1 Catalog Number  
 2 Type and number of conductors in conduit  
 3 Outside diameters of each conductor

\*Cable support plugs will not be supplied undrilled.



Type V

Conduit Size	Catalog Number Complete Fitting		Body Only	Catalog Number Plug Only*		Dimensions in Inches		Approx. Compound Required Pints
	1-4 Same Size Wires	Any Number of Different Size Wires or 5 or More Same Size Wires		Catalog Number 1-4 Same Size Wires	Any Number of Different Size Wires or 5 or More Same Size Wires	Outside Diameter	Approx. Overall Height	
2"	V-2005-1	V-2005-2	V-2005-BO	RPLG-2001-1	RPLG-2001-2	3/4	3/4	1/4
2½"	V-2505-1	V-2505-2	V-2505-BO	RPLG-2501-1	RPLG-2501-2	3¾	4¾	1/4
3"	V-3005-1	V-3005-2	V-3005-BO	RPLG-3001-1	RPLG-3001-2	4¾	4½	1/2
3½"	V-3505-1	V-3505-2	V-3505-BO	RPLG-3501-1	RPLG-3501-2	5	5	¾
4"	V-4005-1	V-4005-2	V-4005-BO	RPLG-4001-1	RPLG-4001-2	5¾	5¾	1
5"	V-5005-1	V-5005-2	V-5005-BO	RPLG-5001-1	RPLG-5001-2	6¾	6	1¾
6"	V-6005-1	V-6005-2	V-6005-BO	RPLG-6001-1	RPLG-6001-2	8¾	7	3½

\*Cable support plugs will not be supplied undrilled.



# Cable Supports

For Rigid Conduit, IMC<sup>†</sup>, and EMT with pOzi-grip® "R-style" Wedging Plug

## Type C Compound

Non-ventilating. For ONE or more wires Outdoors  
- at all voltages.

### Use:

To seal the end of conduit and support non-armored electrical cables in vertical conduit risers.

### Features:

- Threaded for Rigid Conduit and IMC.
- For threadless conduit or EMT, see note below.
- Use with all types of insulations at all voltages.
- This device not only supports the cable, but furnishes a watertight seal at the top of a conduit riser.
- "Body Only" can be ordered separately, for installation prior to wire pulling. "Plug Only" can be ordered later, once wires are in place.

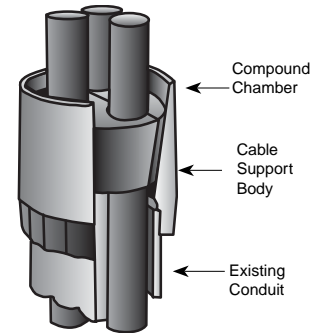
**NOTE: Plugs will not be supplied undrilled.**

- For Sealing Compound for weatherproof seal - See page RA15.
- Lay-In-Lug™ Grounding Lug can be mounted on Cable Support Body - See page QA14.

### TO ORDER SPECIFY:

- 1 Catalog Number
- 2 Type and number of conductors in conduit
- 3 Outside diameters of each conductor

\*Cable support plugs will not be supplied undrilled.



Type C

Conduit Size	Catalog Number Complete Fitting		Catalog Number Body Only	Catalog Number Plug Only*		Dimensions in Inches		Approx. Compound Required Pints
	1-4 Same Size Wires	Any Number of Different Size Wires or 5 or More Same Size Wires		1-4 Same Size Wires	Any Number of Different Size Wires or 5 or More Same Size Wires	Maximum Overall Diameter	Approx. Overall Height	
2"	C-2004-1	C-2004-2	C-2004-BO	RPLG-2001-1	RPLG-2001-2	3 $\frac{3}{8}$	3 $\frac{1}{2}$	$\frac{1}{4}$
2 $\frac{1}{2}$ "	C-2504-1	C-2504-2	C-2504-BO	RPLG-2501-1	RPLG-2501-2	3 $\frac{7}{8}$	4	$\frac{1}{3}$
3"	C-3004-1	C-3004-2	C-3004-BO	RPLG-3001-1	RPLG-3001-2	4 $\frac{1}{2}$	4 $\frac{3}{4}$	$\frac{1}{2}$
3 $\frac{1}{2}$ "	C-3504-1	C-3504-2	C-3504-BO	RPLG-3501-1	RPLG-3501-2	5	4 $\frac{3}{4}$	$\frac{2}{3}$
4"	C-4004-1	C-4004-2	C-4004-BO	RPLG-4001-1	RPLG-4001-2	5 $\frac{1}{2}$	5	1
5"	C-5004-1	C-5004-2	C-5004-BO	RPLG-5001-1	RPLG-5001-2	7 $\frac{1}{8}$	5 $\frac{5}{8}$	1 $\frac{3}{4}$
6"	C-6004-1	C-6004-2	C-6004-BO	RPLG-6001-1	RPLG-6001-2	8 $\frac{1}{4}$	6 $\frac{3}{4}$	3 $\frac{1}{2}$

\*Cable support plugs will not be supplied undrilled.

### Material/Finish:

Body of Fitting is Malleable or Ductile Iron with Hot Dip Galvanized finish.

### Optional Material:

Bodies of fittings are also available in Cast Aluminum. Add suffix "A" to Catalog Number. Example: **C-2004A-1**. Contact your local representative for price and availability.

### Note:

Due to the possibility of Magnetic Induction Heating, a single alternating current conductor should not be used in iron fittings. Specify optional Cast Aluminum Bodies.

### Third Party Certification:



UL Listed: 11853

### Applicable Third Party Standards:

UL Standard: 514B  
NEC 300-19

† For Threadless Rigid Conduit, Threadless IMC, or EMT, the body can be attached to the male threads of a set-screw or compression connector. See Catalog Sections EA, FA, and FB. For PVC Conduit, use a PVC terminal adapter. If mounting on a non-metallic/non-grounded conduit, a Lay-In-Lug™ grounding lug should be mounted on cable

support body - see page QA14.  
Can also be supplied for fibre conduit on request.  
Contact your local representative for price and availability.