

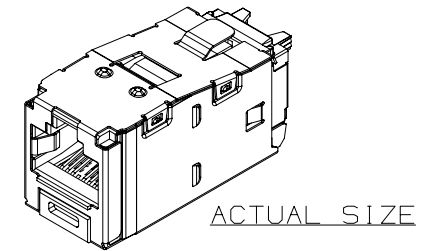
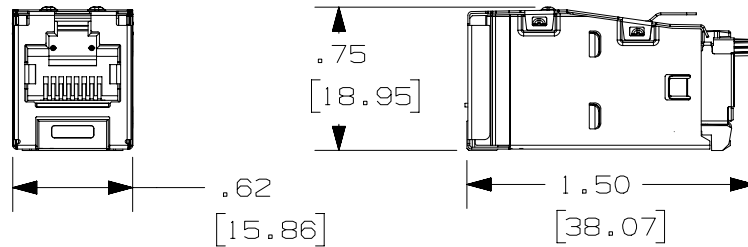
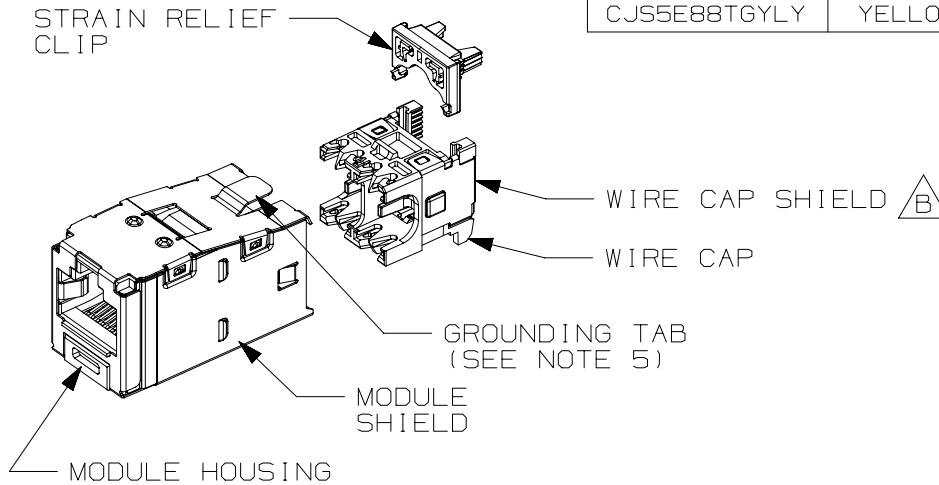
THIS COPY IS PROVIDED ON A RESTRICTED BASIS AND IS NOT TO BE USED IN ANY WAY DETRIMENTAL TO THE INTERESTS OF PANDUIT CORP.

PART#	COLOR	DESCRIPTION	WEIGHT*
CJS5E88TGY	BLACK	8 POSITION, 8 WIRE SHIELDED MODULE WITH INTEGRAL SHIELD. WIRE CAP LABEL IS COLOR CODED FOR T568A AND T568B WIRING SCHEMES.	3.314 LB/100 PCS (1503g/100 PCS)
CJS5E88TGRDY	RED		
CJS5E88TGBUY	BLUE		
CJS5E88TGGRY	GREEN		
CJS5E88TGPLY	VIOLET		
CJS5E88TGYLY	YELLOW		

\*WEIGHT IS APPROXIMATE

NOTES:

1. RED WIRE CAP DESIGNATES CATEGORY 5E PERFORMANCE.
2. MATERIAL:  
MODULE HOUSING- ABS  
MODULE SHIELD- TIN PLATED OVER PHOS. BRONZE  
WIRE CAP SHIELD- TIN PLATED CARTRIDGE BRASS  
WIRE CAP- PC
3. ALL TX5e,6 AND 6A 8 POSITION, 8 WIRE JACK MODULES ARE UNIVERSAL IN DESIGN. THEY ACCEPT SIX AND EIGHT POSITION MODULAR PLUGS WITHOUT DAMAGE.
4. DIMENSIONS IN PARENTHESES ARE IN METRIC.
5. .187 x .010" GROUNDING TAB PROVIDED AS OPTIONAL CONDUCTIVE PATH FOR GROUNDING.



PART NUMBER		CJS5E88TG**Y		
TITLE		TX5E SHIELDED JACK MODULE		
		CUSTOMER DRAWING		
ITEM REVISION NAME		M02479NR/04		
DATASET FILE NAME		M02479NR_DC356/04A		
UNLESS OTHERWISE SPECIFIED, DIMENSIONAL TOLERANCES ARE: IN [ mm ]		<b>PANDUIT</b> MATERIAL: SEE NOTE 2		
.X ± .XX ± .03 (.8)				
DRAWN BY		DATE	CHK	SCALE
AFW		3-11-06	CEF	FULL
DRAWING NUMBER:		02479-356		
REV		DATE	BY	CHK
DESCRIPTION		ECN		
SHT 1 OF 1		A		

REV	DATE	BY	CHK	APR	DESCRIPTION	ECN
4	10-27-15	BJN	WFMI	FMS	B. UPDATED MODEL TO 12M330AR/06 TO ADD WIRE CAP SHIELD	02479-356
3	6-20-14	MDJR	REFR	EJH	A. ADDED PART NUMBERS FOR RED, BLUE, GREEN, VIOLET, AND YELLOW JACKS. REMOVED PREVIOUS REVISIONS FOR CLARITY.	02479-356

D10100DA/14