

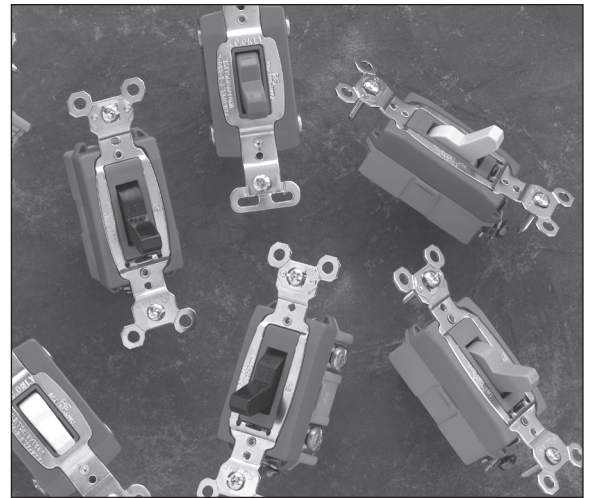


PASS & SEYMOUR®
 Industrial Extra Heavy-Duty
 Specification Grade Switches
 15, 20 & 30A, 120/277VAC

PS15AC, PS20AC, PS30AC Series

High-performing chemical- and impact-resistant switches with quiet, reliable operation.

Designed to withstand abuse and constant use in demanding applications, these durable switches virtually eliminate contact bounce and arcing. Exterior housing is made entirely of high-performing chemical- and impact-resistant thermoplastics to withstand the abuse of industrial environments and harsh chemicals. Featuring auto-ground and external, screw-pressure-plate back wiring on all terminals for fast, easy installation and excellent electrical connection. Oversize silver alloy contacts help ensure long life and better heat dissipation.



FEATURES & BENEFITS

One-piece nickel-plated brass strap for superior corrosion-resistance.

Cam control and spring actuator for positive “makes and breaks.”

Heavy-duty bumpers for quiet, smooth operation.

One-piece toggle molded from chemical-, impact-, and heat-resistant thermoplastic.

Oversized silver-alloy contacts for long life and better heat dissipation.

Heavy-duty, brass alloy, one-piece contact arm virtually eliminates contact bounce.

Impact- and chemical-resistant cover.

Shallow design for easier installation.

Auto-ground clip assures positive ground.

Glass-reinforced, chemical-resistant thermoplastic back body for durability, strength, and resistance to harsh cleaners.

Locking support provides resistance to face and back body separation.

Side and external screw-pressure-plate back wire with #14 – #10 AWG copper or copper-clad wire.

Grounding terminal is standard with screw-pressure-plate back wire.

PS20AC1-I

FIELD USES / VERTICAL MARKETS

- Health Care**
- Industrial**
- Education**
- Institutional**



PASS & SEYMOUR®

Industrial Extra Heavy-Duty
Specification Grade Switches
15, 20 & 30A, 120/277VAC

ORDERING INFORMATION

Catalog Number				Rating		Color
Single Pole	Double Pole	Three-Way	Four-Way	A.	VAC	
Toggle Switches Back & Side Wire						
PS15AC1-I	PS15AC2-I	PS15AC3-I	PS15AC4-I	15	120/277	Ivory
PS15AC1-W	PS15AC2-W	PS15AC3-W	PS15AC4-W	15	120/277	White
PS15AC1	PS15AC2	PS15AC3	PS15AC4	15	120/277	Brown
PS15AC1-GRY	PS15AC2-GRY	PS15AC3-GRY	PS15AC4-GRY	15	120/277	Gray
PS15AC1-LA	PS15AC2-LA	PS15AC3-LA	PS15AC4-LA	15	120/277	Light Almond
PS20AC1-I	PS20AC2-I	PS20AC3-I		20	120/277	Ivory
PS20AC1-W	PS20AC2-W	PS20AC3-W	PS20AC4-W	20	120/277	White
PS20AC1	PS20AC2	PS20AC3	PS20AC4	20	120/277	Brown
PS20AC1-GRY	PS20AC2-GRY	PS20AC3-GRY	PS20AC4-GRY	20	120/277	Gray
PS20AC1-BK	PS20AC2-BK	PS20AC3-BK	PS20AC4-BK	20	120/277	Black
PS20AC1-RED	PS20AC2-RED	PS20AC3-RED	PS20AC4-RED	20	120/277	Red
PS20AC1-LA	PS20AC2-LA	PS20AC3-LA	PS20AC4-LA	20	120/277	Light Almond
PS30AC1-I	PS30AC2-I	PS30AC3-I		30	120/277	Ivory
	PS30AC2-W			30	120/277	White
PS30AC1	PS30AC2	PS30AC3		30	120/277	Brown

NOTE: Enhanced chemical-resistant toggle not yet available for 30A, Double Pole, and Four-Way models.

For more information on these and other P&S products refer to our Catalog or visit our web site.

PASS & SEYMOUR®

Industrial Extra Heavy-Duty Specification Grade Switches

15, 20 & 30A, 120/277VAC



TECHNICAL SPECIFICATIONS

3rd Party Compliance

UL Listed, File Number E140597, Standard UL20, General Use Snap Switches.
Federal Specification WS896.
cULus Listed, File Number LR17446, Standard CSA-C22.2 No. 111, General Use Snap Switches.
Conforms to NEMA WD-1 and WD-6.

Performance

Electrical

Dielectric Withstand Voltage	1500V Minimum
Maximum Working Voltage	277VAC
Overload	Minimum 4.8 times rated current for 100 cycles
Temperature Rise	30°C maximum at rated current
Maximum Continuous Current	15, 20 and 30 Amps
Endurance	50,000 cycles minimum, resistive, inductive, tungsten filament lamp load (Fed Spec)

Mechanical

Terminal Accommodations	#14 AWG – #10 AWG
-------------------------	-------------------

Environmental

Flammability	UL94 V2
Operating Temperature	Maximum continuous +115°C, minimum -40°C

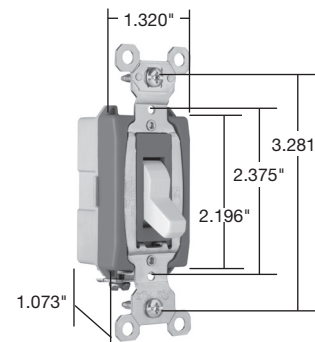
Materials

Back Body	Thermoplastic	Contacts	Silver Cadmium Oxide
Front Body	Thermoplastic	Spring Arm	Brass
Toggle	Thermoplastic	Bumper	Rubber
Terminals	Brass	Spring	Zinc-Plated Steel
Terminal Screws	Tri-Drive Brass	Ground Terminal	Brass
Strap	Nickel-Plated Brass	Ground Screw	Tri-Drive Zinc-Plated Steel
Pressure Plate	Brass	Auto-Ground Clip	Nickel-Plated Brass

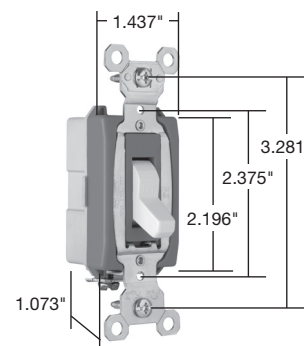
15 Amp Cover	Blue
20 Amp Cover	Red
30 Amp Cover	Green

Warranty

1 Year



Dimensions for
15 & 20 Amp



Dimensions for
30 Amp

ALSO AVAILABLE...

- USB Charging Devices
- Hospital Grade Devices
- PlugTail® Devices
- Plug Load Solutions
- Surge Protective & Isolated Ground Devices
- Ground Continuity Monitoring (GCM)
- Straight Blade Plugs & Connectors
- Turnlok® Locking Devices
- IEC 309 Industrial Products
- Flexcor® Wire Mesh Grips



Electrical Wiring Systems

P.O. Box 4822
Syracuse, NY 13221-4822
Phone: 1.877.BY.LEGRAND (295-3472)
www.legrand.us

570 Applewood Crescent
Vaughan, Ontario L4K 4B4
Phone: 905.738.9195
www.legrand.ca

