



F-can (72C)

F-CAN HID 72C5282NP

The Philips Advance line of F-can HID ballasts comes in two dual-voltage configurations for the US and Canadian market. Ballasts for these luminaires are most often encased and potted in fluorescent ballast type cans.

Product data

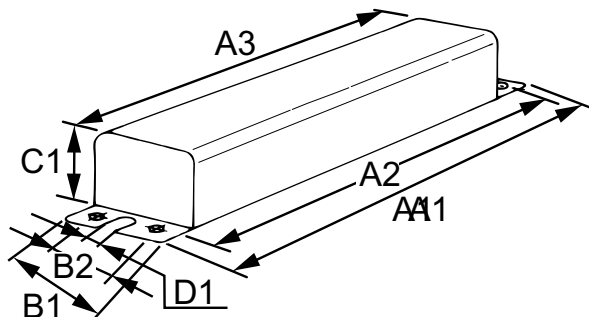
General Information		Open Circuit Voltage	
ANSI Code	M98(PULSESTART)	Open Circuit Voltage	255 V
Lamp Type	70W MH	Input Current (Nom)	0.85/0.37 A A
Number Of Lamps	1 piece/unit	Input Power (Nom)	94 W
Circuit Type	HX-HPF	Rated Lamp Power	70W W
Ballast Type	Magnetic HID	Wiring	
Base Model	72C5282	Wire Striplength	0.5 mm
Suitable For Outdoor Use	Yes	Wire Length By Color	12"
Ignitor Catalog Number	Inside Can	Wire Type	Stranded
Capacitor Catalog Number	Inside Can	Remote Wiring Configuration Allowed	Yes
Automatic Restart	No	Max Ballast-Lamp Distance Remote Wiring	10'
Operating and Electrical		Recommended Fuse Value	4/2 A
Input Voltage	120/277 V	Mechanical and Housing	
Input Frequency	60 Hz	Housing Material	Metal
Power (Rated) (Nom)	70 W	Housing	F-Can
Input Current (Open Circuit)	1.6/0.75 A	Housing Dimensions	11.75 x 2.63 x 3.19
Input Current (Starting)	1.25/0.55 A	Approval and Application	
Input Current (Short Circuit)	0.55-0.85/0.25-0.4 A	Open Circuit Voltage Test (Volts)	230-280 V
Secondary Short Circuit Current	0.95-1.2 A	Temperature Marking	90°C max. case
Constant Wattage Deviation	10%	UL Recognized	No
Ballast Factor (Nom)	1	Hipot Test (1 Minute)	1600 V
Power Factor (Nom)	0.90		

F-can (72C)

Hipot Test (2 Seconds)	2000 V
UL Insulation Class	A(105°C)
UL Temperature Code	NA
Product Data	
Order product name	F-CAN HID 72C5282NP
EAN/UPC - Product	781087252826

Order code	913700541709
Numerator - Quantity Per Pack	1
Numerator - Packs per outer box	6
Material Nr. (12NC)	913700541709
Net Weight (Piece)	3.806 kg

Dimensional drawing



Product	A1	A2	A3	B1	B2	C1	D1
---------	----	----	----	----	----	----	----

MH BAL 70W M98/143 120/277V FCAN

