



# Centium T5HO

## CENTIUM ICN4S5490C2LSG35M

No matter what the conditions require, operating at a variety of line voltages between 120V to 480V, whether located in high ambient temperature environments (requiring a 90° C rating) or not, our family of Philips Advance Centium ballasts are ideal for a wide variety of applications.

### Product data

General Information		Rated Lamp Power	
Lamp Type	F54T5/HO	Rated Lamp Power	54W W
Number Of Lamps	3/4 piece/unit	<b>Wiring</b>	
Ballast Type	Electronic Fluorescent	Color Input Terminals	No terminals
Base Model	ICN4S5490C2LSG	Color Output Terminals	No terminals
Suitable For Outdoor Use	Yes	Wire Striplength	0.50/0.375 mm
Automatic Restart	Yes	Lamp Connection	Series
<b>Operating and Electrical</b>		Wire Length By Color	See data sheet
Input Voltage	120 to 277 V	Wire Gauge (Nom)	18AWG mm
Input Frequency	50 to 60 Hz	Wire Type	Solid
Total Harmonic Distortion USA	10 %	Remote Wiring Configuration Allowed	Yes
Power (Rated) (Nom)	54 W	Tandem Wiring Configuration Allowed	Yes
Ignition Method	Programmed Start	Through Wiring Configuration Allowed	Yes
Crestfactor (Nom)	1.7	Max Ballast-Lamp Distance Remote Wiring	20'
Ignition Time (Nom)	1.5 s	Max Ballast-Lamp Distance Tandem Wiring	Blue & Brown = 20'
Ballast Factor (Nom)	1	Max Ballast-Lamp Distance Through Wiring	Blue & Brown = 20'
Power Factor (Nom)	0.98	Connector Type	No connector
Input Current (Max)	2.00 A	<b>Temperature</b>	
Input Current (Min)	0.86 A	T-Case Maximum (Nom)	90 °C
Input Power (Nom)	240-234 W		

# Centium T5HO

## Mechanical and Housing

Housing Material	Metal
Housing	G
Housing Dimensions	16.7" x 1.7" x 1.18"

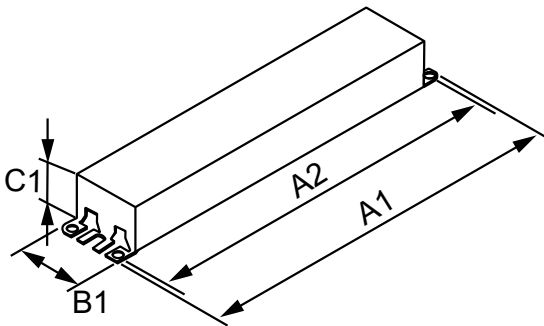
## Approval and Application

EMC Immunity Standard	FCC Non-Consumer
Approval Marks	CSA certificate UL certificate CEC Listing NOM certificate RoHS Compliant
Hum And Noise Level	A
UL Recognized	No

## Product Data

Order product name	CENTIUM ICN4S5490C2LSG35M
EAN/UPC - Product	781087047835
Order code	913710268502
Numerator - Quantity Per Pack	1
Numerator - Packs per outer box	6
Material Nr. (12NC)	913710268502
Net Weight (Piece)	1.212 kg

## Dimensional drawing



ELE BALLAST (4) F54T5HO 120-277V

Product	A1	A2	B1	C1
---------	----	----	----	----

