

ACTUATOR-/INDICATOR COMPONENT WITH INTEGRATED LED  
24V AC/DC LAMP HOLDER SCREW TERMINAL GREEN



Figure similar

<b>Product designation</b>	lampholder
<b>Contact block/ lampholder</b>	
<b>Mounting type</b>	integrated
<b>Number of lampholders</b>	1
<b>General technical data</b>	
<b>Product function</b>	
• positive opening	No
<b>Product component</b>	
• diode	Yes
• lamp transformer	No
• Light source	Yes
• series resistor	No
<b>Insulation voltage</b>	
• rated value	250 V
<b>Degree of pollution</b>	class 3
<b>Type of voltage</b>	
• of the operating voltage	AC/DC

<b>Surge voltage resistance rated value</b>	4 kV
<b>Protection class IP</b>	
• of the enclosure	IP40
• of the terminal	IP20
<b>Equipment marking</b>	
• acc. to DIN 40719 extended according to IEC 204-2 acc. to IEC 750	H
• acc. to DIN EN 61346-2	P
• acc. to DIN EN 81346-2	P
<b>Operating voltage</b>	
• at AC	
— at 50 Hz rated value	21.6 ... 26.4 V
— at 60 Hz rated value	21.6 ... 26.4 V
• at DC	
— rated value	21.6 ... 26.4 V
<b>Operating voltage 1</b>	
• at AC	
— at 50 Hz rated value	24 V
— at 60 Hz rated value	24 V
• at DC rated value	24 V
<b>Supply voltage</b>	
<b>Type of voltage of the supply voltage</b>	
• of the light source	AC/DC
<b>Supply voltage 1 of the light source at AC</b>	
• at 50 Hz rated value	24 V
• at 60 Hz rated value	24 V
<b>Supply voltage 1 of the light source at DC</b>	
• rated value	24 V
<b>Relative negative tolerance of the supply voltage</b>	-15 %
<b>Relative positive tolerance of the supply voltage</b>	10 %
<b>Auxiliary circuit</b>	
<b>Number of NC contacts</b>	
• for auxiliary contacts	0
<b>Number of NO contacts</b>	
• for auxiliary contacts	0
<b>Number of CO contacts</b>	
• for auxiliary contacts	0
<b>Consumed current for rated value of supply voltage maximum</b>	18 mA
<b>Connections/Terminals</b>	
<b>Type of electrical connection</b>	screw-type terminals

<b>Type of connectable conductor cross-sections</b>	
<ul style="list-style-type: none"> <li>• for auxiliary contacts <ul style="list-style-type: none"> <li>— solid 2x (1.0 ... 1.5 mm<sup>2</sup>)</li> <li>— solid with core end processing 2x (0.5 ... 0.75 mm<sup>2</sup>)</li> <li>— finely stranded with core end processing 2x (0.5 ... 1.5 mm<sup>2</sup>)</li> </ul> </li> <li>• at AWG conductors for auxiliary contacts 2x (18 ... 14)</li> </ul>	
<b>Tightening torque</b>	
<ul style="list-style-type: none"> <li>• for auxiliary contacts with screw-type terminals 0.8 N·m</li> </ul>	

<b>Lamp</b>	
<b>Type of light source</b>	LED
<b>Color of the light source</b>	green

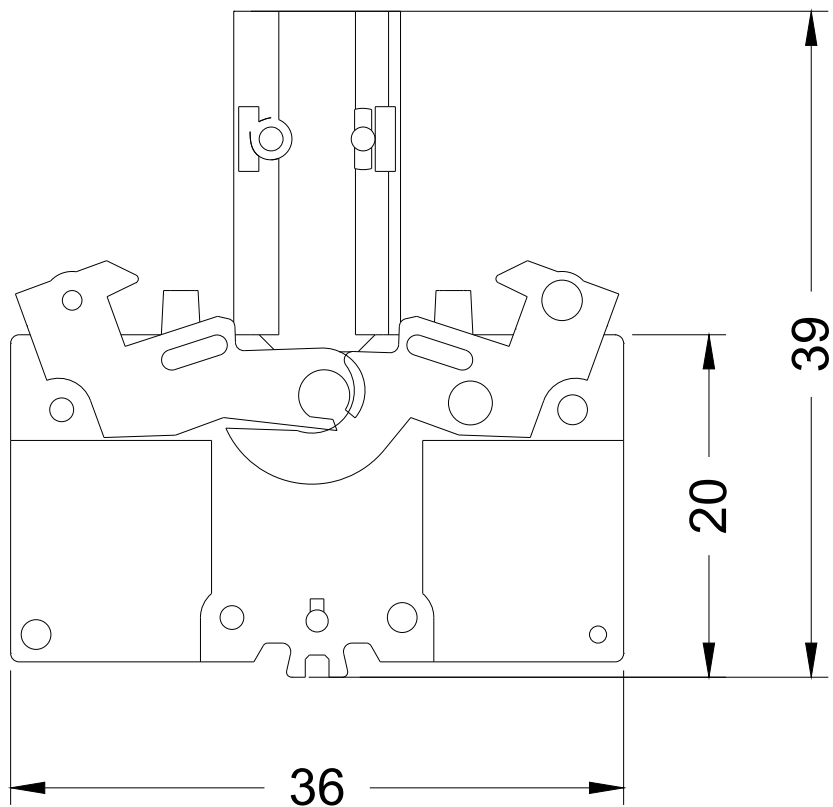
<b>Ambient conditions</b>	
<b>Ambient temperature</b>	
<ul style="list-style-type: none"> <li>• during operation -25 ... +70 °C</li> <li>• during storage -25 ... +80 °C</li> </ul>	

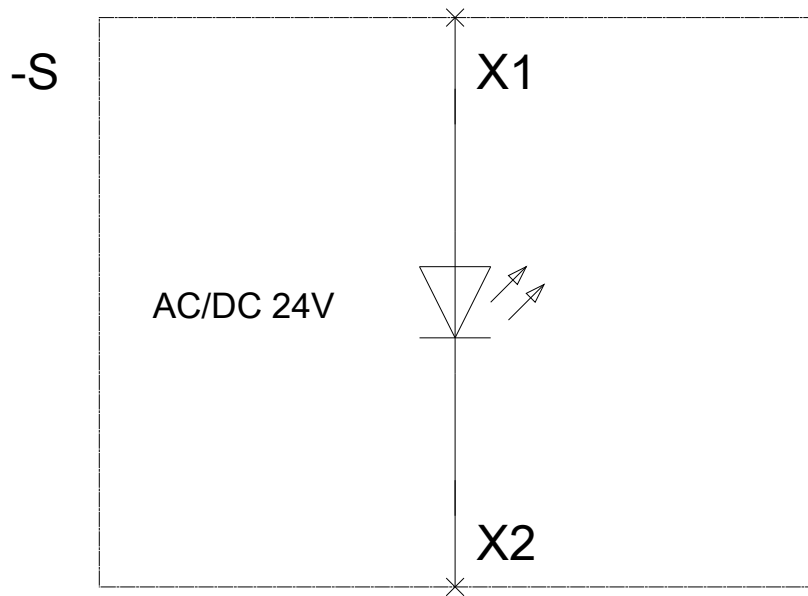
<b>Installation/ mounting/ dimensions</b>	
<b>Mounting type</b>	front mounting
<b>Height</b>	36 mm
<b>Width</b>	10 mm
<b>Depth</b>	20 mm

<b>Certificates/approvals</b>		
<b>General Product Approval</b>	<b>Declaration of Conformity</b>	<b>Test Certificates</b>
 CCC	 CSA	 UL
 EAC	 EG-Konf.	<a href="#">spezielle Prüfbescheinigungen</a> n

<b>other</b>
<a href="#">Umweltbestätigung</a> <a href="#">Bestätigungen</a>

<b>Further information</b>
<b>Information- and Downloadcenter (Catalogs, Brochures,...)</b> <a href="http://www.siemens.com/industrial-controls/catalogs">http://www.siemens.com/industrial-controls/catalogs</a>
<b>Industry Mall (Online ordering system)</b> <a href="https://mall.industry.siemens.com/mall/en/en/Catalog/product?mlfb=3SB3400-1PC">https://mall.industry.siemens.com/mall/en/en/Catalog/product?mlfb=3SB3400-1PC</a>
<b>Cax online generator</b> <a href="http://support.automation.siemens.com/WW/CAXorder/default.aspx?lang=en&amp;mlfb=3SB3400-1PC">http://support.automation.siemens.com/WW/CAXorder/default.aspx?lang=en&amp;mlfb=3SB3400-1PC</a>





last modified:

12/19/2016