

FSQ Dead Front Interlocked Receptacles and Switches

BP Plugs

Cl. I, Div. 1 and 2, Groups B*,C,D
 Cl. II, Div. 1 and 2, Groups F,G
 Cl. III
 NEMA/EEMAC 3,7BCD,9FG,12
 Explosionproof

Dust-Ignitionproof
 Raintight
 Wet Locations

4P

Note:

- For information on application, features, groundings and compliances, see page 1042.
- Available with 3/4" and 1" hubs in various arrangements, as shown in the listings.

Standard Materials:

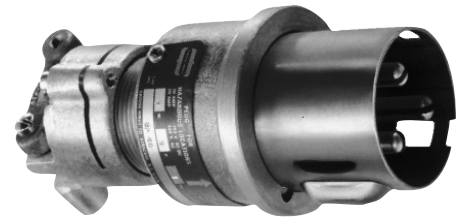
- Switch enclosure and receptacle housing – *Feraloy*® iron alloy
- Threaded cover and spring door – copper-free aluminum
- Plug exteriors; handle body – copper-free aluminum
- Protective sleeve – steel
- Insulation (plug and receptacle) – Krydon® fiberglass reinforced polyester
- Contacts – brass

Standard Finishes:

- *Feraloy* iron alloy – electrogalvanized and aluminum acrylic paint
- Copper-free aluminum – natural
- Steel – zinc electroplate with chromate finish
- Brass – natural
- Krydon, fiberglass reinforced polyester – natural (red)

*Class I, Group B:

FSQ units listed below are also available modified for Class I, Group B (NEMA 7B) usage. Add suffix GB to the Cat. No. Example: FSQC230-GB. Seals must be installed within 1½" of each conduit opening.



FSQ Receptacles With Spring Door

30 Amperes, 250 VAC or VDC; 20 Amperes, 600 VAC; 2 HP, 120-600 VAC

No. of Poles	Hub Size	Hub Arrangement	Cat. #	Hub Arrangement	Cat. #
2-wire, 3 pole (2-pole switch)	3/4 1		FSQC230		FSQD230
			FSQC330		FSQD330
	3/4 1		FSQA230		FSQX230
			FSQA330		FSQX330

BP Plugs With Cable Grip and Neoprene Bushing

Cable Dia.	Cat. #
.375 to .500	BP49
.500 to .625	BP59
.625 to .750	BP69
.750 to .875	BP79

CAUTION: To reduce the risk of ignition of hazardous atmospheres, do not use plugs or receptacles in Class II, Group F locations that contain electrically conductive dusts.

Application:

FSQ dead front interlocked receptacles and switches with APJ/NPJ, BP and FP plugs are used:

- to supply power to portable electrical equipment such as hand lamps, lighting systems, power tools, conveyors and similar equipment.
- in areas which are hazardous due to the presence of flammable vapors or gases and combustible dusts.
- in damp, wet or corrosive locations
- indoors or outdoors at petroleum refineries, chemical and petrochemical plants and facilities for processing and handling grain, flour and starch.

Features:

- FSQ dead front interlocked receptacles and switches, as shown in the listings, are available with four different types of receptacles, each of which is positively polarized to prevent mismatching. With this choice of receptacle types, power outlets for several different voltages can be installed in the same area with assurance that portable equipment cannot be connected to a receptacle of improper voltage.
- All FSQ assemblies have the same outstanding safety features. The plug must be fully inserted in the receptacle and rotated clockwise to operate the enclosed switch, closing the circuit to the receptacle. The plug cannot be withdrawn until it is rotated counter-clockwise and the switch opened. Plug and receptacle contacts cannot be made or broken under load and when plug and receptacle are not engaged, receptacle is dead front.
- An added safety feature is provided by the cover screw. The cover cannot be removed when the switch is closed and with the cover removed and cover screw in place, the switch cannot be operated by the plug.

Grounding:

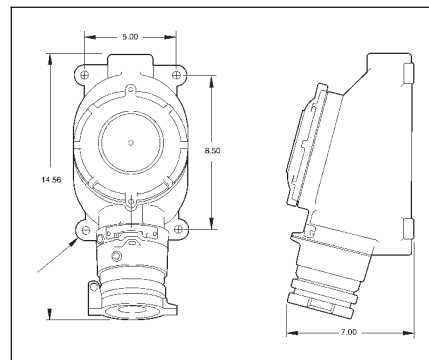
- NEC Article 501 and CEC Part 1 Section 18 requires that metal frames or exposed non-current-carrying metal parts of portable devices used in hazardous areas be grounded through an extra conductor in the portable cord.
- All FSQ receptacles and matching plugs are provided with an extra grounding pole. In the plugs, provision is made for attachment of the grounding wire. In addition, direct connection is provided between plug and receptacle housings and the grounding pole. If a separate grounding wire is not installed in the receptacle, grounding is accomplished through the conduit system.

Certifications and Compliances:

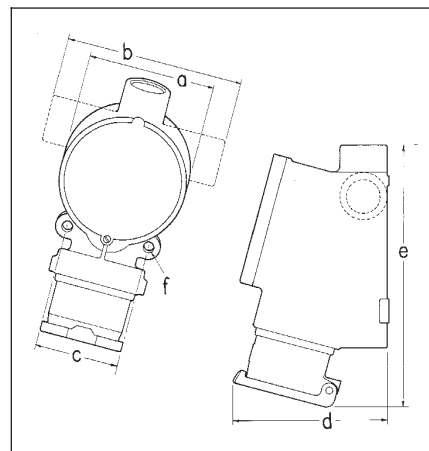
- NEC: Class I, Division 1 and 2, Groups B*,C,D
Class II, Division 1 and 2, Groups F,G
Class III
- NEMA: 3,7B*CD,9FG,12
- ANSI/UL Standard: 1010
- CEC: Class I, Division 1 and 2, Groups B,C,D
Class II, Division 1 and 2, Group G
Class III
- Encl. 3,5
- CSA Standard: C22.2 No. 30

CAUTION: To reduce the risk of ignition of hazardous atmospheres, do not use plugs or receptacles in Class II, Group F locations that contain electrically conductive dusts.

Dimensions:



FSQC5630, 5640



Cat. #	Page	Maximum Dimensions					
		a	b	c	d	e	f
FSQC2320, 3320	4P-3	4¾		3⅞	5¾	9¾	¾
FSQC2430, 3430							
FSQC2390, 3390							
FSQ230, 330 Series	4P-4	4¾	6⅝	3⅞	5¾	10¼	¾
FSQ232, 332 Series	4P-5	4¾	6⅝	3⅞	5½	9½	¾
FSQ233, 333 Series							



Interchangeability of Plugs with Other Hazardous and Non-Hazardous Location Receptacles:

- Plugs listed for FSQC receptacles on 1043 are standard APJ/NPJ plugs. Other standard APJ/NPJ and CPH plugs of the same rating, style and number of poles may be used with FSQC receptacles as well as with DR, DBR, EBBR, EPC and EPCB receptacles listed in Section 2P and 4P.
- As a result, portable equipment suitable for the location and equipped with the proper plug can be used with AR series receptacles for non-hazardous areas, EBBR, EPC, EPCB, and FSQC receptacles for Class I hazardous locations; DR and DBR receptacles for Class II hazardous locations.