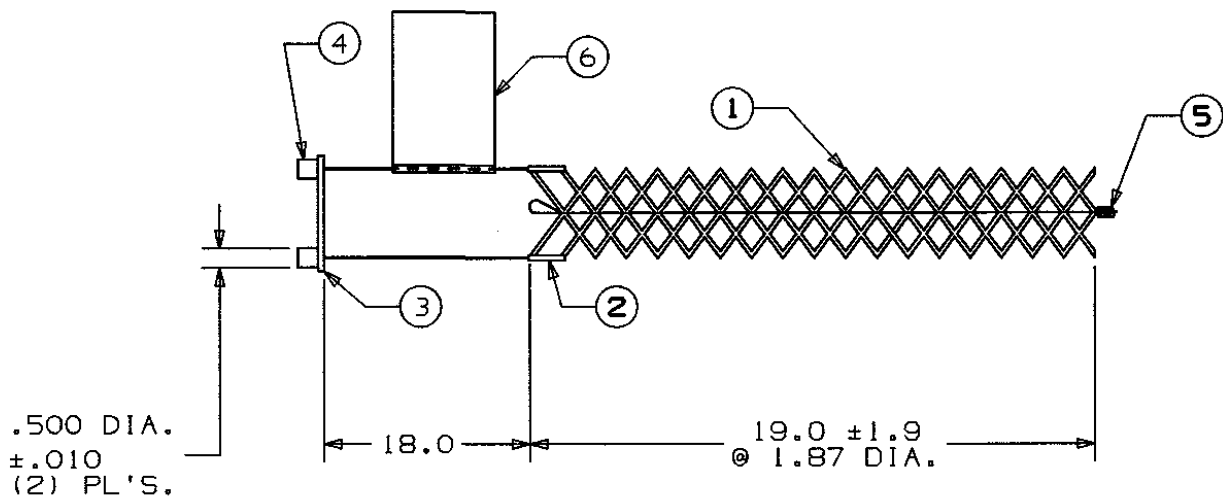


COMPONENT LIST

ITEM NO.	DESCRIPTION	MAT'L	COMPONENT NO.	QTY.
1	STRAND	T.BRZ	302-01-005	-
2	EQUALIZER	SST	304-48-009	2
3	LINK	BRZ	372-55-004	1
4	LUG	BRZ	372-56-020	2
5	LACE	T.BRZ	302-74-006	1
6	TAG	MYLAR		1



IN ACCEPTING OUR DRAWINGS OR BLUEPRINTS FOR QUOTATION OR OTHER PURPOSES, YOU AGREE NOT TO DISCLOSE TO OTHERS THE IDEAS, INFORMATION, OR DESIGNS THEREIN SHOWN, AND THAT YOU WILL MAKE NO USE OF OUR DRAWINGS OR BLUEPRINTS OR OF THE IDEAS, INFORMATION, OR DESIGNS THEREIN SHOWN WITHOUT OUR PERMISSION.

TITLE GRIP - STANDARD SUPPORT - SST
SPLIT-LACE CLOSING
SINGLE WEAVE UNIVERSAL BALE
DIA. RA. 1.75-1.99
DESCRIPTION: RSU 175-18
APP. BRK. STR. (LBS.) = 2150

TOLERANCES UNLESS OTHERWISE SPECIFIED
.X = ±.5
.XX = ±.05
.XXX = ±.015
ANGLE TOL. ± 2°

HUBBELL INCORPORATED
KELLEMS DIVISION
STONINGTON, CT

PROJECT NO.

DR. BY KJW

APP. BY MLF

TR. BY

SCALE NONE

CHK. BY JLW

DATE 3/19/93

DR. NO.

022-02-057

REV.

R