

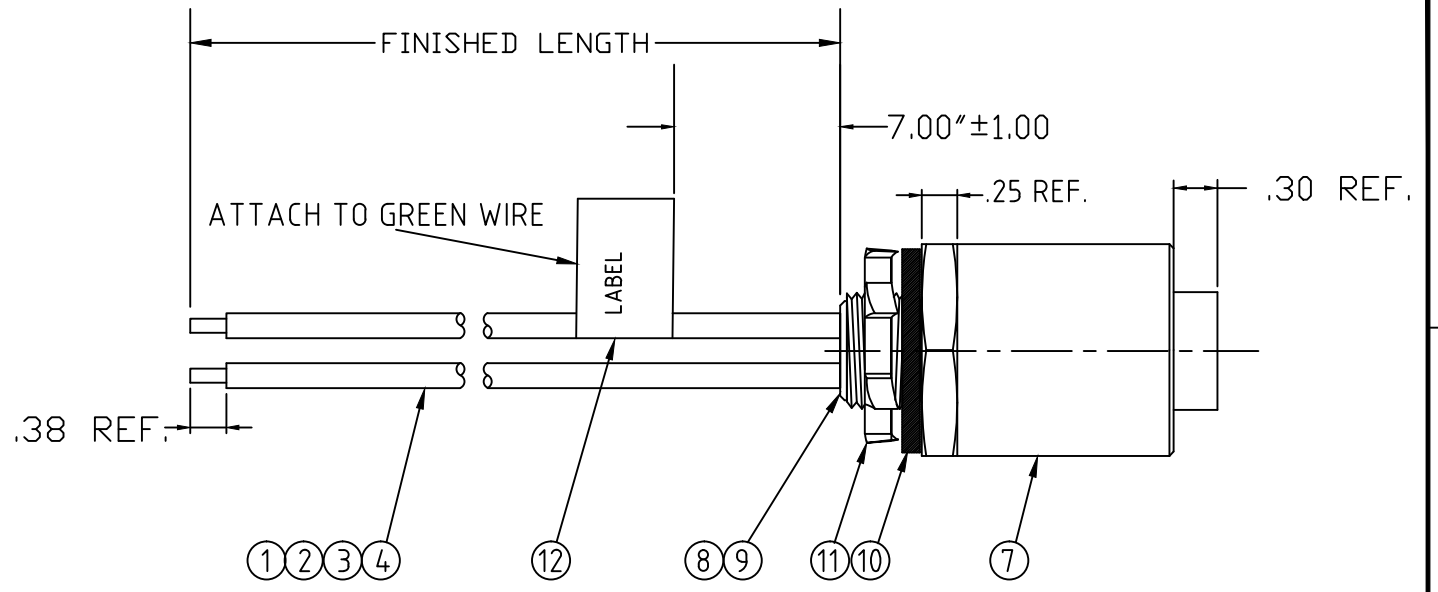
10	9	8	7	6	5	4	3	2	1
MATERIAL NUMBER	ENGINEERING NUMBER	FINISHED LENGTH	CHART						
1300660237	CR4000A30M750	75 METERS							
1300660165	CR4000A30M070	7 METERS							
1300660164	CR4000A30M060	6 METERS							
1300660163	CR4000A30M050	5 METERS							
1300660162	CR4000A30M030	3 METERS							
1300660160	CR4000A30M020	2 METERS							
1300660159	CR4000A30M017	1.7 METERS							
1300660158	CR4000A30M016	1.6 METERS							
1300660157	CR4000A30M013	1.3 METERS							
1300660156	CR4000A30M011	1.1 METERS							
1300660154	CR4000A30M010	1 METER							
1300660153	CR4000A30M009	0.9 METERS							
1300660152	CR4000A30M005	0.5 METERS							
1300660150	CR4000A30M003	0.3 METERS							
1300660149	CR4000A30A120	12 INCHES							
1300662008	CR4000A30M040	4 METERS							

PART NUMBER LEGEND (C)

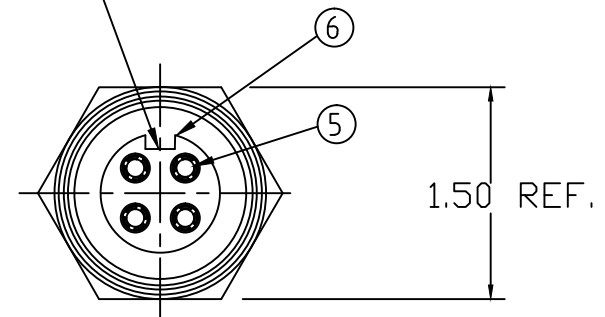
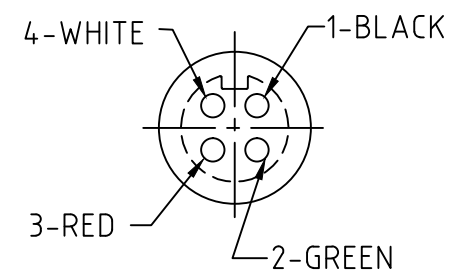
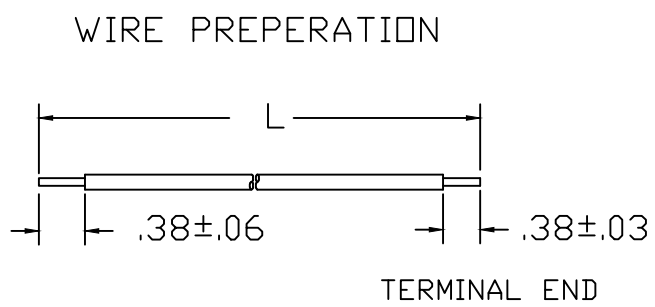
CR4000A30M005

WIRE TYPE
10AWG

FINISHED LENGTH:
M005= 0.5 METER
M010= 1 METER
M100= 10 METER
A120= 12 INCHES



ALIGN KEYWAY PERPENDICULAR TO FLAT ±5°



NOTES

1-PREPARE WIRES PER	AS SHOWN
2-CRIMP CONTACTS PER	S-186
4- CABLE LENGTH TOLERANCES PER	S-175
5-POTTING PER	STD-227
6-TEST PER	S-165
7-MARK LABEL PER	S-189
8- INSTALLATION INSTRUCTIONS PER	S-192
9-PACKAGE PER	S-188

12	1	FLAG LABEL
11	1	LOCKNUT
10	1	GASKET
9	A/R	EPOXY HARDENER
8	A/R	EPOXY RESIN
7	1	RECEPTACLE SHELL
6	1	FEMALE INSERT
5	4	SOCKET CONTACT
4	SEE TABLE	#10-1 WIRE THHN
3	SEE TABLE	#10-1 WIRE THHN
2	SEE TABLE	#10-1 WIRE THHN
1	SEE TABLE	#10-1 WIRE THHN
ITEM	QTY	DESCRIPTION

REV POTTING STD, ADD PIN LEG EC NO: IPG2017-0829 DRWN: RSTONE 3/3/17 CHKD: K COX 2017/03/10 APPR: BWOODMAN	QUALITY SYMBOLS ▽=0 (C)=0	GENERAL TOLERANCES (UNLESS SPECIFIED)		DIMENSION STYLE INCH		SCALE ---	DESIGN UNITS INCH	THIRD ANGLE PROJECTION		
		4 PLACES	±---	±---	DRAWN BY	DATE	TITLE QC FEM 1/2" NPT 4 POLE AC RECPT ASSY 10 AWG			
		3 PLACES	±---	±---	MODELL	2009/02/23				
		2 PLACES	±---	±.005	CHECKED BY	DATE	MOLEX INCORPORATED			
1 PLACE	±---	±.01	RDEROSS	2009/02/23						
ANGULAR ±---°		DRAFT WHERE APPLICABLE MUST REMAIN WITHIN DIMENSIONS		APPROVED BY ---		MATERIAL NO. SEE CHART	DOCUMENT NO. E-130066-025	SHEET NO. 1 OF 2		
SIZE B		THIS DRAWING CONTAINS INFORMATION THAT IS PROPRIETARY TO MOLEX INCORPORATED AND SHOULD NOT BE USED WITHOUT WRITTEN PERMISSION								

MATERIAL NO.	ENGINEERING NO.	FINISHED LENGTH
1300660237	CR4000A30M750	75 METERS
1300660165	CR4000A30M070	7 METERS
1300660164	CR4000A30M060	6 METERS
1300660163	CR4000A30M050	5 METERS
1300660162	CR4000A30M030	3 METERS
1300660160	CR4000A30M020	2 METERS
1300660159	CR4000A30M017	1.7 METERS
1300660158	CR4000A30M016	1.6 METERS
1300660157	CR4000A30M013	1.3 METERS
1300660156	CR4000A30M011	1.1 METERS
1300660154	CR4000A30M010	1 METERS
1300660153	CR4000A30M009	0.9 METERS
1300660152	CR4000A30M005	0.5 METERS
1300660150	CR4000A30M003	0.3 METERS
1300660149	CR4000A30A120	12 INCHES
1300662008	CR4000A30M040	4 METERS

CHART

Ⓣ CABLE LENGTH TOLERANCES

>.3M [1FT]: +19mm-0 [+0.75in-0]

.3 - .9M [1 - 3FT]: +44.5mm-0 [+1.75in-0]

.9 - 1.8M [3 - 6FT]: +55.6mm-0 [+2.19in-0]

1.8 - 3.7M [6 - 12FT]: +88.9mm-0 [+3.50in-0]

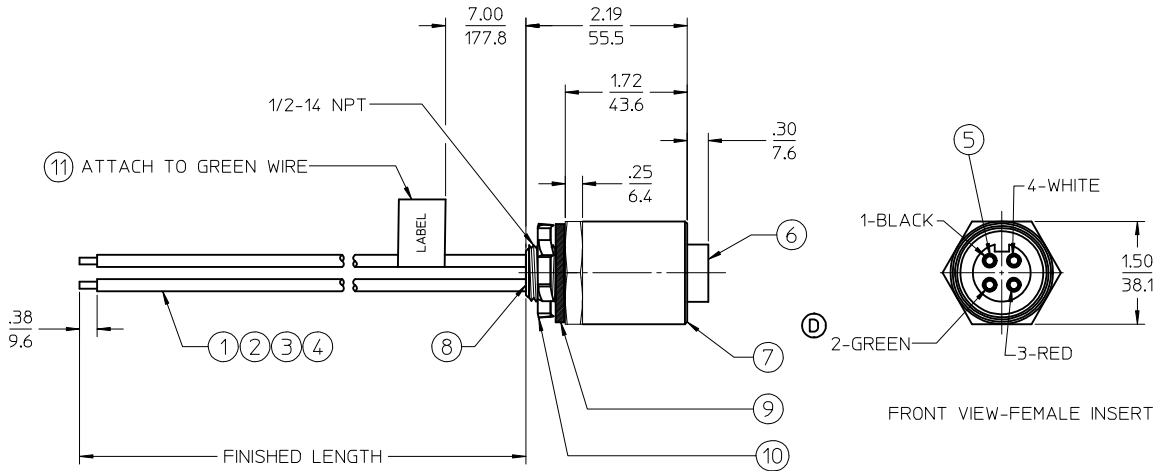
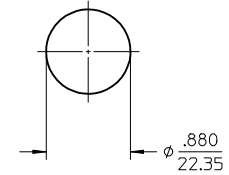
3.7 - 7.3M [12 - 24FT]: +165.1mm-0 [+6.50in-0]

7.3-14.6M [24 - 48FT]: +317.5mm-0 [+12.50in-0]

14.6 - 30.5M [48-100FT]: +622.3mm-0 [+24.50in-0]

OVER 30M [100FT] +2% OF FINISHED LENGTH

Ⓣ KNOCKOUT HOLE



FRONT VIEW-FEMALE INSERT

NOTES:

- MATERIAL: AS NOTED
- FINISHES: AS NOTED
- ELECTRICAL SPECIFICATIONS
VOLTAGE RATING: 480V PER IEC60664
600V PER UL2237 Ⓣ
CURRENT RATING: 32 AMPS
- PROTECTION: IP67 (WHEN MATED)
- TEMP RANGE: -20°C TO +80°C
- AGENCY LISTING: E258922, PVVA
- DIMS SHOWN ARE FOR REFERENCE UNLESS NOTED OTHERWISE

Ⓣ PART NO. LEGEND
CR4000A30M005

WIRE TYPE: 10 AWG PVC

FINISHED LENGTH
M005= 0.5 METER
M010= 1 METER
M100= 10 METERS
A120= 12 INCHES

ITEM	DESCRIPTION	MATERIAL	FINISH
11	FLAG LABEL	VINYL	YELLOW
10	LOCK NUT	STEEL	ZINC PLATED
9	GASKET	NEOPRENE	BLACK
8	POTTING	EPOXY	BLACK
7	RECEPTACLE SHELL	ALUMINUM ALLOY	ANODIZED
6	FEMALE INSERT	PVC	BLACK
5	SOCKET CONTACT	COPPER	GOLD PLATED
4	#10-1 WIRE THN	PVC JACKET	RED
3	#10-1 WIRE THN	PVC JACKET	GREEN
2	#10-1 WIRE THN	PVC JACKET	WHITE
1	#10-1 WIRE THN	PVC JACKET	BLACK

REV'D NOTE: 3 ADD P/N LEG & TOL REMOVE GRN/WEL WIRE IEC NO: IPG2017-0829 DRWR:RSTONE 2017/03/03 CHKDK:COX 2017/03/10 APPR:BMOODMAN 2017/04/17	QUALITY SYMBOLS ▽=0 ▽=0	GENERAL TOLERANCES (UNLESS SPECIFIED)		DIMENSION STYLE IN/MM	SCALE INCH	DESIGN UNITS INCH	THIRD ANGLE PROJECTION	
		4 PLACES ± --- mm 3 PLACES ± --- INCH	DRAWN BY BRUPERT	DATE 2011/11/14	TITLE QC FEM 1/2" NPT 4 POLE AC RECEPTACLE 10 AWG			
		2 PLACES ± --- mm 1 PLACE ± --- INCH	CHECKED BY JFMURPHY	DATE 2012/03/20	APPROVED BY MOLEX INCORPORATED			
		DRAFT WHERE APPLICABLE MUST REMAIN WITHIN DIMENSIONS		MATERIAL NO. SEE CHART	DOCUMENT NO. SD-130066-025	SHEET NO. 1 OF 1		

THIS DRAWING CONTAINS INFORMATION THAT IS PROPRIETARY TO MOLEX INCORPORATED AND SHOULD NOT BE USED WITHOUT WRITTEN PERMISSION